



Group II, Zone 1,
hazardous area linear
luminaires with emergency
signage

Ex II 2 GD

Ex d eb op is IIB T6 Gb

Ex tb op is IIIC T80°C Db

CE, RoHS, & ATEX

international product marks



Shepherd Series

Explosion Proof Emergency Bulkheads

CDN:SPEC158REV9

Technical Specifications Summary



Performance Summary:

Code (Series-Wattage/Size)	SHE-18A
Operating Power (Mains)	18W
Operating Power (Battery)	5W
Chip Lumen Maintenance (TM21 Reported)	L80B10 ≥50,000 hours @ 25°C Ambient
Chip Lumen Maintenance (TM21 Calculated)	L80B10 ≥73,000 hours @ 25°C Ambient
Certification	CE, RoHS, ATEX
Product Warranty	3 Years

Light Source and Photometric Parameters:

Chip Brand, Model, & Size	Jufei 2835
Light Emission	Direct
CCT	6000K
CRI	≥80
Diffusers	Clear with emergency graphic
Symmetric Light Distribution	120°

Electrical Parameters:

System Operating Power	18W
System Power Factor	>0.98
Input Voltage	100-277VAC
Input Frequency	50-60Hz
Inrush Current	50A (100-277VAC)
Power Factor	>0.98
THD	<10%
Insulation Class	I
Surge Protection/Fusing	5kV

Environmental Parameters:

IP Rating	IP66
IK Rating ²	IK10 (Housing) / IK08 (Front Face)
Ambient Usage Tolerance	-20°C to 55°C
Ambient Storage Tolerance	-20°C to 55°C
Ambient Humidity Tolerance	0% to 90% RH

Physical/Mechanical Parameters:

Product Dimensions: LxWxH (mm)	600 x 187 x 85
Qty of LED Chips	384
Electrical Connection	Terminal Block 1mm ² to 4mm ² (Note: 1mm ² to 2mm ² if installed as Wire-In-Wire-Out configuration)
Wire-In-Wire-Out Installation	Yes
Inlet Thread	M20 (M20x1.5), M25 (M25x1.5), NPT3/4"
Gland Type ^{3,4}	Stainless Steel Non-armoured (Armoured optional)
Suitable Cable Size (ø) ⁵	M20 = 9.5-15.9mm, M25 = 12.5-20.5mm, NPT3/4" = 12.5-20.5mm
Fixture Weight ⁶	8.5kg
Fixture Primary Material(s)	6063 Copper-Free Aluminium Alloy (≤0.1% Copper) and 316 Stainless Steel Fixings
Fixture Finish	Epoxy Powder Coated
Lens(es) Materials	Tempered Glass
Protection Method	Flame Proof

Technical Specifications Summary

Code (Series-Wattage/Size)	SHE-18A
Options/Accessories:	
Mounting Styles	Twin Surface, Twin Eye Bolts, Twin Pipe Clamp, Stanchion, Clamp Mount
Miscellaneous Accessories	Emergency Legend: Arrow Up, Arrow Down, Arrow Left, Arrow Right
Available Product Colours	Orange (RAL2011), Grey (RAL7040)

¹ Details are for standard non-dimming driver

² (Format: "IK Rating: Housing" / "IK Rating: Front Face") – IK10 if fitted with wire guard accessory

³ Wire-in-wire-out compatible products supplied with one non-armoured ATEX certified gland and one ATEX certified blanking plug.

⁴ Armoured Cable gland available as an optional accessory. Please contact Kellwood for more information.

⁵ Stated cable size is applicable to standard gland. Armoured cable may vary, contact Kellwood for more information.

⁶ Excludes bracketry. Refer to the Packaging Weights & Dimensions data sheet for bracketry and accessory weights

Certifications			
Division	ATEX Zone 1 & 21 and 2 & 22		
Product Marking ATEX Certificate Issue 01	Ⓔ II 2 G D Ex d eb op is IIB T* Gb Ex tb op is IIIC T* Db *for further information please see temperate table		
Product Marking ATEX Certificate Issue 02	Ⓔ II 2 G D Ex d eb op is IICT* Gb Ex tb op is IIIC T* Db *for further information please see temperate table		
Temperature Table			
Product	Rated Power (Watts)	Temperature Class	
		-20° to 55°C (Ta)	
		Gas	Dust
Stephenson Series	18W	T6	T80°C
	36W		
	48W		
	56W		
	72W		
Certificate Number			
ATEX	TUV 15 ATEX 7673 X		
IECEX	IECEX TUR 16.0028X		

All stated values should be considered indicative only. Technical data is provided from sample luminaires and construction components as assessed by OEM(s) under industry-standard, laboratory conditions. In practice, stated values can vary. Kellwood Lighting operates a policy of continual product improvement. Our luminaires' capabilities are regularly enhanced to outperform in-class market alternatives. Please contact our technical team directly for clarifications prior to purchase. All images depicted should be considered indicative only. Stated product warranty periods do not include associated labour costs. Stated product warranty periods are for UK projects only. For international projects, please contact our offices directly. Optional upgrades can often affect or supersede unit technical parameters, capabilities, and warranties. It is the responsibility of the purchasing authority to ensure selected hardware is suitable for application. For further documentation, including Returns Policy and Conditions of Unit Failure, please contact our offices. Hazardous area documentation (eg. ATEX) are issued to OEM codes. WEEE compliance reference code: WEE/MP3838PR/SCH. Please do not look directly at LED lighting products during operation.

This datasheet & corresponding certification should be reviewed by a competent person to ensure project suitability.

©2020 Kellwood Engineering Ltd. All rights reserved.

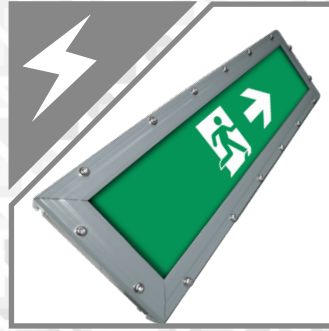


Technical Specifications Summary



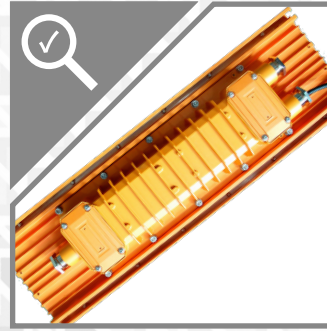
Mounting Options

Twin surface mount brackets, clamp mounts, twin pipe clamp mounts, stanchion brackets, twin eye bolts, & custom



Input Voltage

Suitable for connection to 100-277VAC electrical supplies



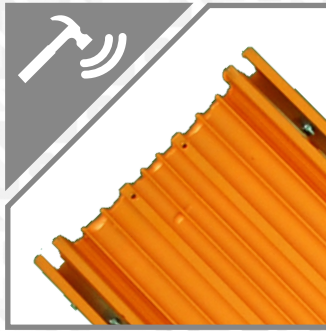
Special Features

Terminal block enclosure covers are secured to the luminaire for easier installation & faster maintenance



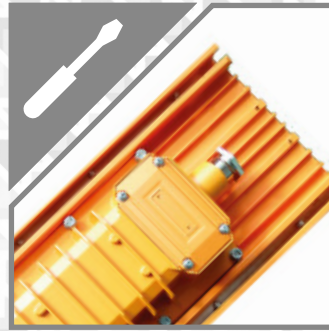
Environmental Protection

IP66, copper-free aluminium body c/w corrosion resistant paint finish - Salt spray testing reports available



Impact Protection

IK10 body, IK08 tempered glass front-face



Connection Options

Multiple gland types available, suitable for standard or armoured cable types



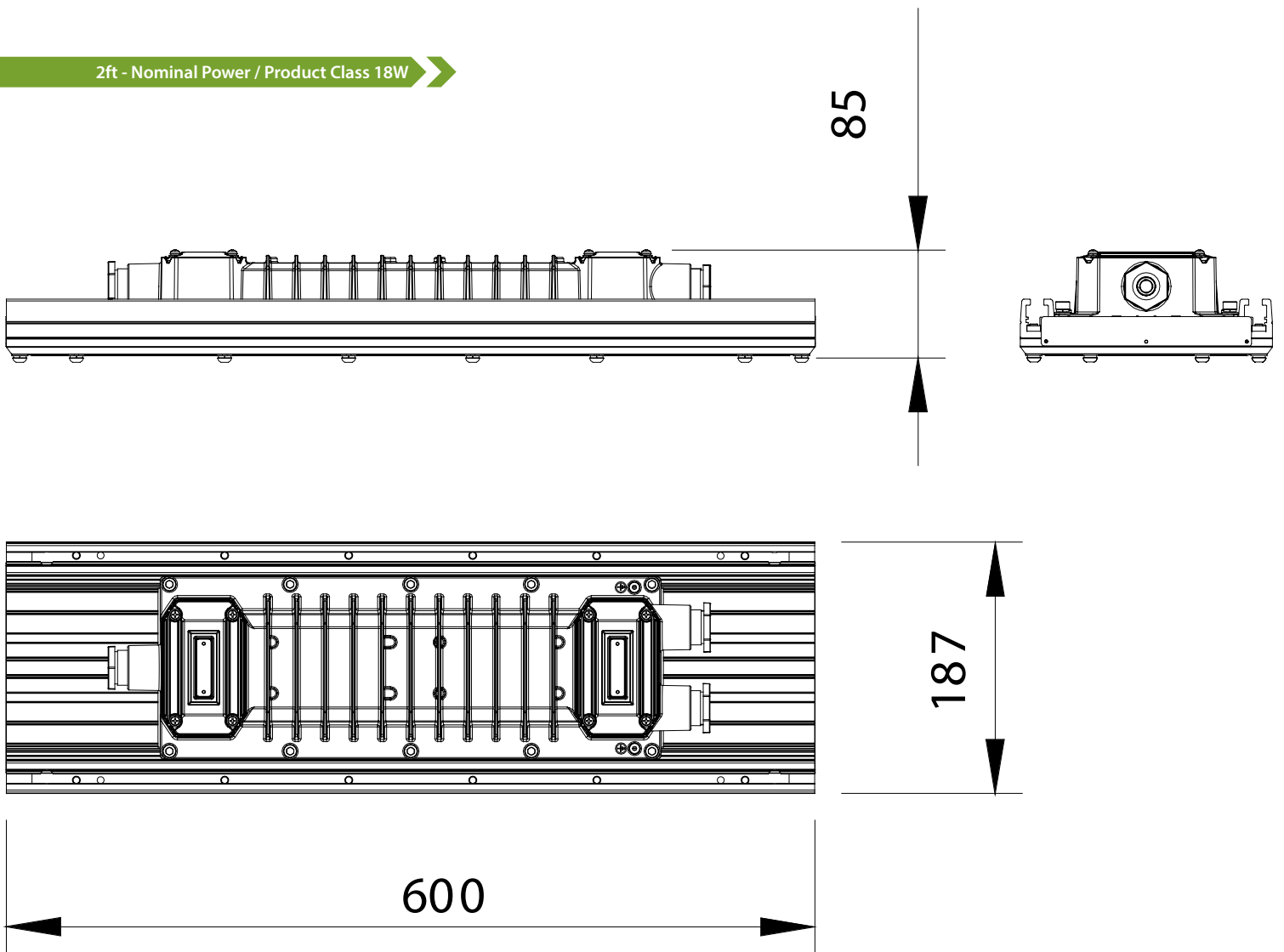
Emergency Options

Emergency signage has configurable options of using Arrow up, down, left, and right



Dimensional Drawings

2ft - Nominal Power / Product Class 18W



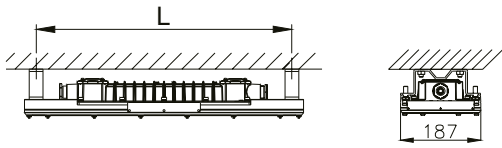
All units are in mm





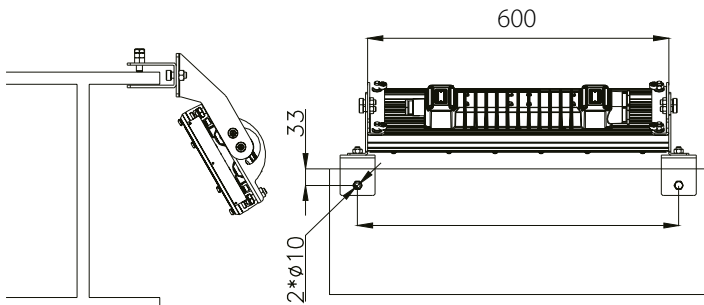
Dimensional Drawings

Twin Surface Mount Brackets

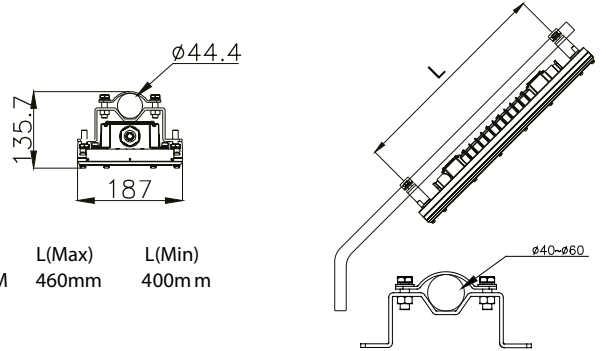


	L(Max)	L(Min)
0.6M	550	500

Clamp Mounts

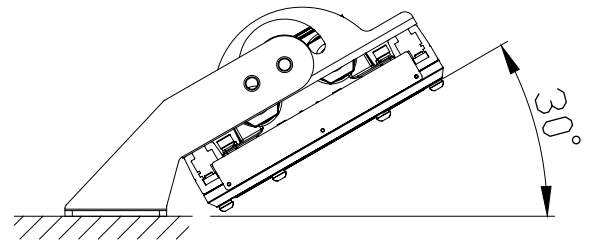


Twin Pipe Clamp Mounts

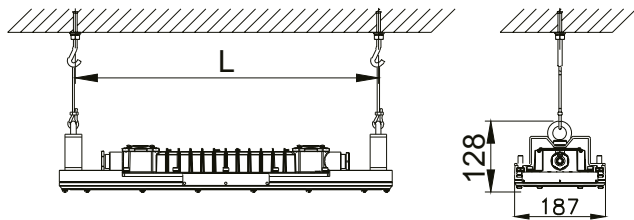


	L(Max)	L(Min)
0.6M	460mm	400mm

Stanchion Mount

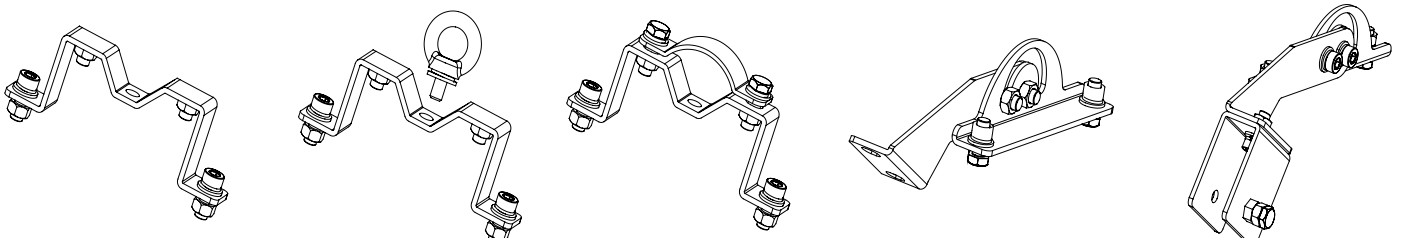


Twin Eye Bolts



	L(Max)	L(Min)
0.6M	550	500

Bracketry



Surface Mount Brackets

Eye Bolt

Pipe Clamps

Stanchion Brackets

Clamp Mounts

All units are in mm





Standard product code fields are presented as:

Further customisation may be available - please contact us if required



Product Ordering Codes

PRODUCT	POWER	CRI & CCT	OPTIC	DRIVER	MOUNTING	COLOUR	THREAD	EMERGENCY & CONFIGURABLE OPTIONS
SHE	18A 18W, 2ft	860 CRI >80, 6000K	120 120° CIRCULAR (H7V7)	V4 INPUT VOLTAGE: 100-277 VAC	TM TWIN SURFACE MOUNT BRACKETS	OR ORANGE	I1 M25 INLET THREAD	E3R1-AD INTEGRATED 3 HOUR 5W MAINTAINED EMERGENCY (REMOTE TEST) ARROW DOWN
					TE TWIN EYE BOLTS		GR GREY	I2 NPT3/4" INLET THREAD
					TP TWIN PIPE CLAMP MOUNT	I4 M20 INLET THREAD		E3R1-AR INTEGRATED 3 HOUR 5W MAINTAINED EMERGENCY (REMOTE TEST) ARROW RIGHT
					ST STANCHION MOUNT		E3R1-AU INTEGRATED 3 HOUR 5W MAINTAINED EMERGENCY (REMOTE TEST) ARROW UP	
					CM CLAMP MOUNT			

Product Ordering Code Examples:

SHE-18A-860-120-V4-TE-OR-I1-E3R1-AD

SHE-18A-860-120-V4-TP-GR-I3-E3R1-AL

BRACKETS & ACCESSORIES	
CODE	DESCRIPTION
SHE-TM	TWIN SURFACE MOUNT BRACKETS FOR SHEPHERD SERIES
SHE-TE	TWIN EYE BOLTS FOR SHEPHERD SERIES
SHE-TP	TWIN PIPE CLAMP MOUNTS FOR SHEPHERD SERIES
SHE-ST	STANCHION MOUNT FOR SHEPHERD SERIES
SHE-CM	CLAMP MOUNT FOR SHEPHERD SERIES

GENERAL NOTES:

1. IF MORE THAN ONE MODIFICATION IS REQUIRED, SEPARATE EACH MODIFICATION WITH A HYPHEN AT THE END OF THE PRODUCT CODE
2. PLEASE ENSURE SELECTION OF COMPATIBLE DRIVER FOR OCCUPANCY SENSORS WITH DIMMING FUNCTIONALITY
3. PLEASE NOTE THAT MODIFICATIONS WHICH AFFECT LIGHT OUTPUT HAVE SEPARATE PHOTOMETRIC FILES IDENTIFIED WITH "...+(MODIFICATION)"
4. ALTERNATIVE DRIVERS MAY BE AVAILABLE - PLEASE CONTACT OUR OFFICE FOR FURTHER DETAILS
5. IF PRODUCT IS CUSTOMISED, CODES WILL BE ALTERED AS NECESSARY - HAZARDOUS AREA CERTIFIED PRODUCT MODIFICATIONS ARE TYPICALLY LIMITED TO BRACKETRY (TO ENSURE COMPLIANCE WITH CERTIFICATION)
6. HAZARDOUS AREA CERTIFIED PRODUCTS ARE LISTED USING KELLWOOD'S STANDARD ORDERING CODE TEMPLATE FOR MARKETING PURPOSES. PRODUCTS WILL BE SUPPLIED WITH OEM NAMEPLATES, CODES & DOCUMENTATION CORRESPONDING TO PRODUCT CERTIFICATION

CONTACT OUR OFFICE FOR FURTHER INFORMATION ON DRIVER PARAMETERS

