



Specialist sports lighting hardware for application on external sports pitches, pavilions and stadiums.

400W-1200W series range – Lightweight, long-lifetime, narrow optics for zone specific illumination, sophisticated dual tilt technology

CE, CB, SAA, ETL, DLC international product marks

Alba Series

Sports LED High Mast



CDN:SPEC173REV1

Technical Specifications Summary



Performance Summary:

Code (Series-Wattage/Size)	ALB-400	ALB-600	ALB-800	ALB-1200
Nominal Power	400W	600W	800W	1,200W
Luminaire Efficacy @ CRI>70, 5000K CCT	140lm/W	140lm/W	140lm/W	140lm/W
Lumen Output @ CRI>70, 5000K CCT	56,000lm	84,000lm	112,000lm	168,000lm
Lumen Maintenance (TM21 Reported)	L70B50 ≥60,000 hours @ 25°C			
Lumen Maintenance (TM21 Calculated)	L70B50 ≥100,000 hours @ 25°C			
Certification	CE, CB, SAA, ETL, DLC			
Product Warranty	5 Years			

Light Source and Photometric Parameters:

Chip Brand, Model, & Size	Nichia GRT-V3
Chip Efficacy @ CRI>70, 5000K CCT	140lm/W
Light Emission	Direct
CCT	5000K, (3000K, 4000K optional)
CRI	≥70Ra, (≥80Ra optional)
Diffusers	Clear
Symmetric Light Distribution	30°, (20°, 60° Optional)
Asymmetric Light Distribution	20°

Electrical Parameters¹:

System Operating Power	400W	600W	800W	1200W
Driver Brand	Inventronics			
Driver Model	EUD-480	EUD-600	EUD-480	EUD-600
System Power Factor	>0.96			
Typical Driver Lifetime @ ≤Tc 70°	91,000 Hours			
Input Voltage	100-240VAC			
Input Frequency	50-60Hz			
Qty of Drivers per Light	1	1	2	2
Inrush Current (Non-Dimming Driver)	60A			
Power Factor	>0.95			
THD	<15% (100-277VAC)			
Surge Protection/Fusing	10KV, (15KV, 20KV Optional)			

Environmental Parameters:

IP Rating	IP66
IK Rating	IK08
Ambient Usage Tolerance	-40°C to 45°C
Ambient Storage Tolerance	-40°C to 65°C
Ambient Humidity Tolerance	15% to 90% RH

Technical Specifications Summary

Code (Series-Wattage/Size)	ALB-400	ALB-600	ALB-800	ALB-1200
Physical/Mechanical Parameters:				
Product Dimensions: LxWxH (mm)	667 x 403 x 377	649 x 742 x 438	742 x 649 x 438	1014 x 651 x 440
Windage @ 45° Tilt	0.148m ²	0.271m ²	0.278m ²	0.395m ²
Electrical Connection	2.5m cable			
Fixture Weight²	14.5kg	25.5kg		36kg
Fixture Primary Material(s)	Aluminium Alloy			
Fixture Finish	Powder Coating			
Lens(es) Materials	Tempered Glass and Polycarbonate Optical Lens			
Dimming/Controls Parameters:				
Dimming Options	Non-Dimming, 0-10V, DALI			
Compatible intelligent lighting systems	Wireless Lighting Controls and Monitoring			
Options/Accessories:				
Mounting Styles	Universal Bracket			
Available Product Colours	Black			

¹ Electrical Parameter data is for D1 drivers, unless otherwise stated

² Excludes bracketry. Refer to the Packaging Weights & Dimensions data sheet for bracketry and accessory weights

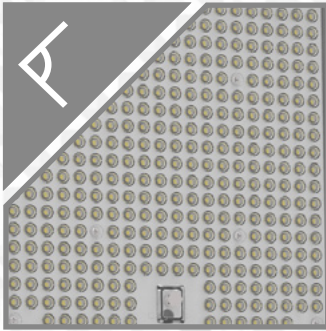
All stated values should be considered indicative only. Technical data is provided from sample luminaires and construction components as assessed by OEM(s) under industry-standard, laboratory conditions. In practice, stated values can vary. Kellwood Lighting operates a policy of continual product improvement. Our luminaires' capabilities are regularly enhanced to outperform in-class market alternatives. Please contact our technical team directly for clarifications prior to purchase. All images depicted should be considered indicative only. Stated product warranty periods do not include associated labour costs. Stated product warranty periods are for UK projects only. For international projects, please contact our offices directly. Optional upgrades can often affect or supersede unit technical parameters, capabilities, and warranties. It is the responsibility of the purchasing authority to ensure selected hardware is suitable for application. For further documentation, including Returns Policy and Conditions of Unit Failure, please contact our offices. Hazardous area documentation (eg. ATEX) are issued to OEM codes. WEEE compliance reference code: WEE/MP3838PR/SCH. Please do not look directly at LED lighting products during operation.

This datasheet & corresponding certification should be reviewed by a competent person to ensure project suitability.

©2020 Kellwood Engineering Ltd. All rights reserved.

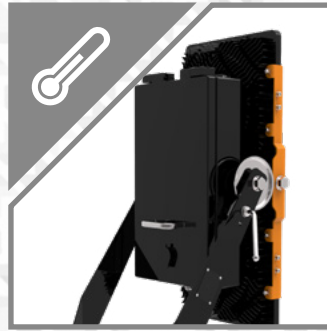


Features Summary



Distribution

There are symmetric light distribution options available; 20°, 30°, 60° and asymmetric optic option



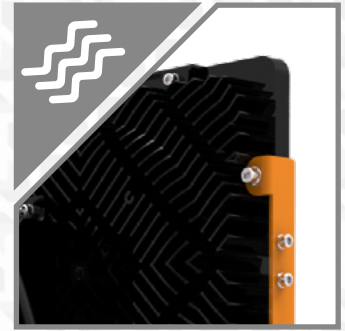
Temperature Tolerance

Alba Series has a usage temperature tolerance of -40°C to 45°C



DALI

DALI dimming controls available



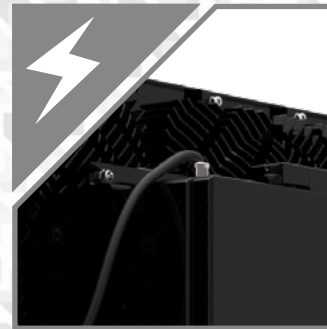
Vibration Resistance

IK08 Rated



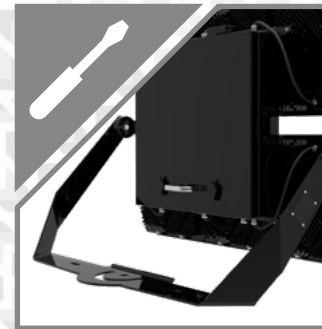
Environmental Protection

IP66 rating



Surge Protection

20KV/15KV/10KV Surge Protection



Mounting

Handle design on mounting bracket allows for easy adjustments to aim luminaires to the desired locations

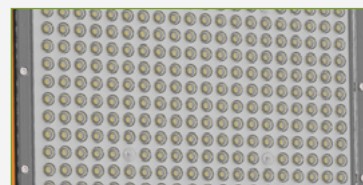


Advanced Controls

System energy reporting, data monitoring, IoT (wireless/wired) networks

Diffuser

This series is available with the following diffusers. Each diffuser will have a varying effect on photometric distribution and intensity. Please refer to downloadable photometrics for exact data.



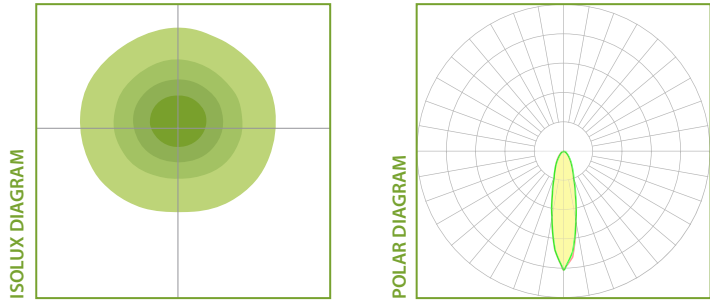
Clear Optic (Various Beam Angles)



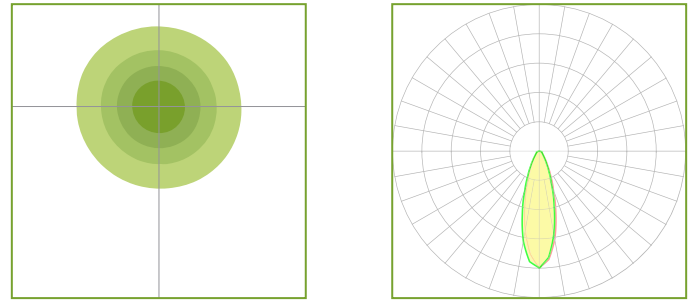
Please note - images shown are intended to be illustrative only. For exact data, please refer to specific product photometry, available for download from our website.

Indicative Product Photometry

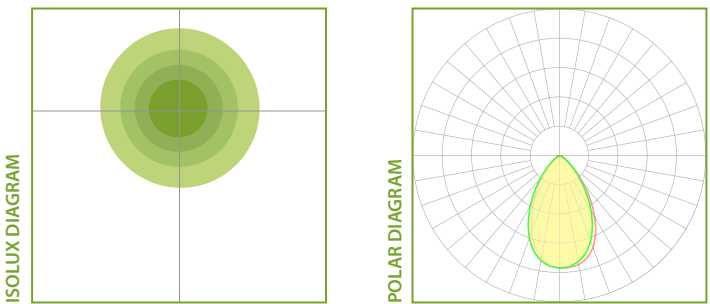
20° Optic



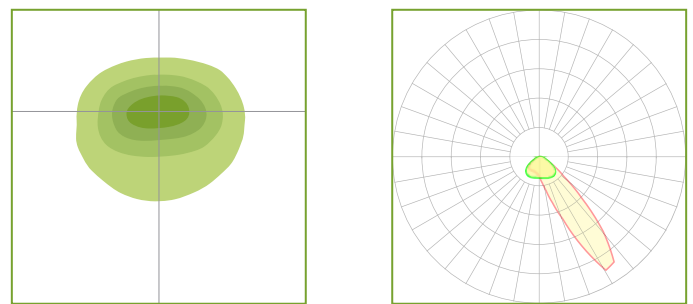
30° Optic



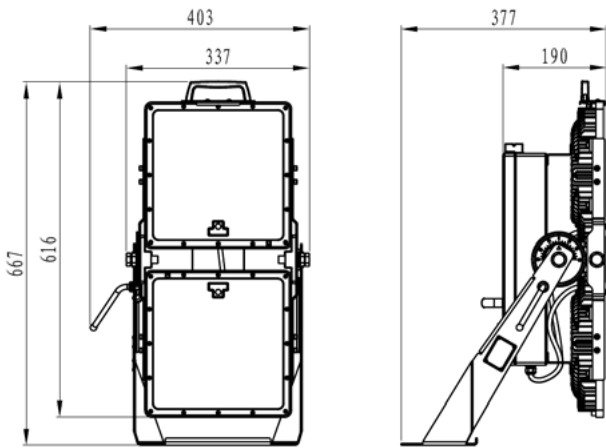
60° Optic



F8 (20° Floodlight) Asymmetric Optic

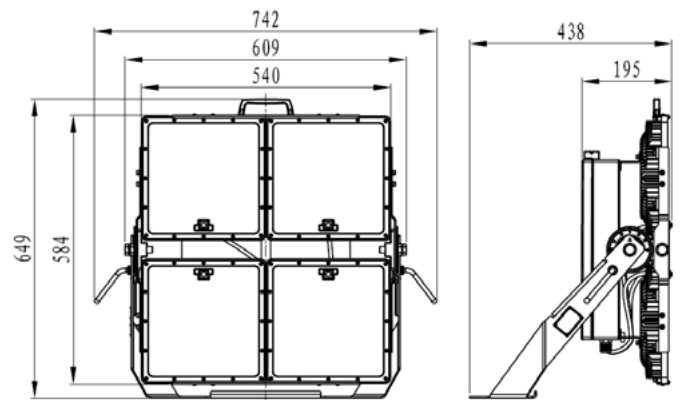


Universal Bracket - 400W

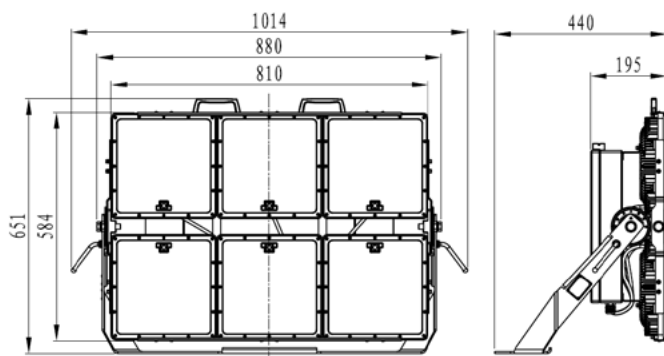


Dimensional Drawings

Universal Bracket - 600W/800W



Universal Bracket - 1200W



All units in mm

Colourations on isolux diagrams are qualitative, i.e. the same colour on any two isolux diagrams will not necessarily have the same lux value.

Standard product code fields are presented as:

Further customisation may be available - please contact us if required



Product Ordering Codes

PRODUCT	POWER	CRI & CCT	OPTIC	DRIVER	MOUNTING	COLOUR	DRIVER MODIFICATIONS
ALB	400 400W	730 CRI >70, 3000K	10 10° CIRCULAR	D1 NON-DIM	UB UNIVERSAL BRACKET	BL BLACK	"BLANK" DRIVERS MOUNTED ON FITTING
	600 600W	740 CRI >70, 4000K	20 20° CIRCULAR	D3 DALI			DA REMOTE DRIVER ASSEMBLY (FOR HOUSING IN ON-SITE CONTAINMENT)
	960 960W	750 CRI >70, 5000K	30 30° CIRCULAR	D4¹ NON-DIM			DE SECURE REMOTE DRIVER IP66 ENCLOSURE
	800 800W	830 CRI >80, 3000K	60 60° CIRCULAR	D5¹ DALI			
	1200 1200W	840 CRI >80, 4000K	F8 20° FLOODLIGHT				
		850 CRI >80, 5000K					

Product Ordering Code Examples:

ALB-400-750-30-D1-UB-BL

ALB-1200-850-20-UB-BL-DA

¹ FOR USE WITH REMOTE DRIVER ASSEMBLY "DA" OPTION

GENERAL NOTES:

- IF MORE THAN ONE MODIFICATION IS REQUIRED, SEPARATE EACH MODIFICATION WITH A HYPHEN AT THE END OF THE PRODUCT CODE
- PLEASE ENSURE SELECTION OF COMPATIBLE DRIVER FOR OCCUPANCY SENSORS WITH DIMMING FUNCTIONALITY
- PLEASE NOTE THAT MODIFICATIONS WHICH AFFECT LIGHT OUTPUT HAVE SEPARATE PHOTOMETRIC FILES IDENTIFIED WITH "...+(MODIFICATION)"
- ALTERNATIVE DRIVERS MAY BE AVAILABLE - PLEASE CONTACT OUR OFFICE FOR FURTHER DETAILS
- IF PRODUCT IS CUSTOMISED, CODES WILL BE ALTERED AS NECESSARY

DRIVER MANUFACTURER

POWER	D1 (NON-DIM)	D3 (DALI)	D4 (NON-DIM)	D5 (DALI)
400 400W	Meanwell	Inventronics	Inventronics	Inventronics
600 600W	Meanwell	Inventronics	Inventronics	Inventronics
800 800W	Meanwell	Inventronics	Inventronics	Inventronics
1200 1200W	Meanwell	Inventronics	Inventronics	Inventronics

CONTACT OUR OFFICE FOR FURTHER INFORMATION ON DRIVER PARAMETERS

ACCESSORIES

2C "LENGTH IN METRES"

2-CORE POWER CABLE (LAMP-DRIVER) PER METRE (400W-600W)

4C "LENGTH IN METRES"

4-CORE POWER CABLE (LAMP-DRIVER) PER METRE (800W-1200W)

ALB-DE-D1-"POWER"

REMOTE NON-DIM DRIVER ENCLOSURE

ALB-DE-D3-"POWER"

REMOTE DALI DRIVER ENCLOSURE

ALB-DA-D4-"POWER"

REMOTE NON-DIM DRIVER ASSEMBLY

ALB-DA-D5-"POWER"

REMOTE DALI DRIVER ASSEMBLY

