

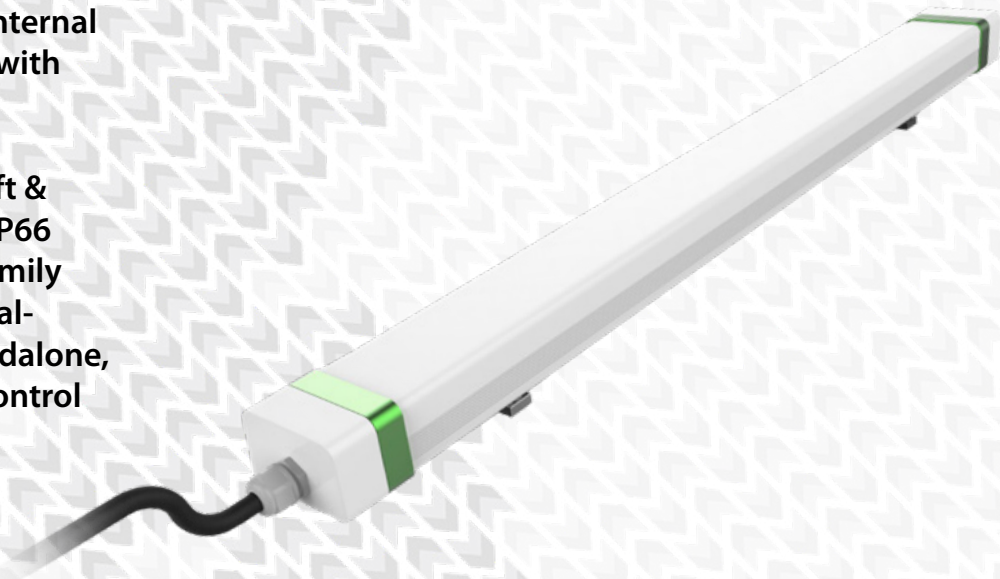


Market-leading, industrial & commercial, non-corrosive style linear light fittings - Developed for advanced manufacturing, warehousing, workshop, & production facilities

Linkable option complete with internal terminal blocks and compatible with Elgin Series emergency module

20W-60W series power range - 5ft & custom lengths - IK10 impact & IP66 ingress resistance - >150lm/W family efficacy - Wide dispersion, general-purpose optics - Integrated, standalone, & wireless network, intelligent control options available

CE, RoHS, international product marks



## *Nitsch 3 Series* *Vapour-Proof Linear Fittings*

CDN:SPEC115REV5

# Technical Specifications Summary



## Performance Summary:

Code (Series-Wattage/Size)	NI3-20A	NI3-30A	NI3-40A	NI3-50A	NI3-60A
Nominal Power	20W	30W	40W	50W	60W
Luminaire Efficacy @ CRI>80, 5000K CCT	150lm/W	151lm/W	158lm/W	151lm/W	154lm/W
Lumen Output @ CRI>80, 5000K CCT	3,000lm	4,530lm	6,320lm	7,550lm	9,240lm
Lumen Maintenance (TM21 Reported)	L70B10 ≥78,000 hours @ Ta 25°C				
Lumen Maintenance (TM21 Calculated)	L70B50 ≥91,000 hours @Ta 25°C				
Certification	CE, RoHS				
Product Warranty	5 Years				

## Light Source and Photometric Parameters:

Chip Brand, Model, & Size	Jufei San'an 2835
Chip Efficacy @ CRI>80, 5000K CCT	190lm/W @ 60mA, 25°C
Light Emission	Direct
CCT	5000K, (3000K, 4000K, 6000K optional)
CRI	≥80Ra, (≥90Ra optional)
SDCM	<6
Diffusers	Clear Striped, Frosted
Symmetric Light Distribution	120°

## Electrical Parameters:

System Operating Power	20W	30W	40W	50W	60W
Driver Brand	Lifud				
Driver Model	LF-GMD023YA	LF-GMD040YA	LF-GMD040YA	LF-GMD063YA	LF-GMD063YA
Typical Driver Lifetime	55,000 hours @Tc 60°C				
Input Voltage	100-277VAC				
Input Frequency	50-60Hz				
Qty of Drivers per Light	1				
Inrush Current (Non-Dimming Driver)	I<60A/350µs @ 230VAC (Peak/Duration)				
Power Factor	>0.93				
THD	<20% (100-277VAC)				
Insulation Class	Class I				

## Environmental Parameters<sup>1</sup>:

IP Rating	IP66
IK Rating	IK10
Ambient Usage Tolerance	-20°C to 40°C
Ambient Storage Tolerance	-40°C to 85°C
Ambient Humidity Tolerance	10% to 80% RH

## Physical/Mechanical Parameters:

Product Dimensions: LxWxH (mm)	1500 x 83 x 63
Electrical Connection	Terminal Block
Fixture Weight <sup>2</sup>	4.1kg
Fixture Primary Material(s)	Aluminium Alloy
Fixture Finish	White Power Coated & Anodised
Lens(es) Materials	UV Stabilised Polycarbonate

# Technical Specifications Summary

Code (Series-Wattage/Size)	NI3-20A	NI3-30A	NI3-40A	NI3-50A	NI3-60A
<b>Dimming/Controls Parameters:</b>					
Dimming Options	1-10V, DALI				
Built-in Controls	Microwave Sensor				
Compatible intelligent lighting systems	Wireless Controls and Monitoring				
<b>Options/Accessories:</b>					
Mounting Styles	Twin Surface/Trunking Brackets, Cable Suspension, Twin Adjustable Angle Brackets				
Miscellaneous Accessories	Linkable Variant, Elgin Emergency Module, IP68 13-Pin In-Line Connector				
Available Product Colours	White, Silver				
<b>Emergency Options Summary:</b>					
Emergency Variant Code	ELG2-3-NM-S1 (Requires LI "Linkable" Nitsch Variant)				
Test Method	Self-Test				
Style	Wire-in module with integrated light source   Non-Maintained				
Emergency Lumen Output @ 4000K CCT	400lm				
IP Rating	IP65				
Battery Chemical Composition	LiFePO4				
Battery Configuration	Replaceable				
Battery Capacity	2,200 mAh				
Battery Output Voltage	7.4V 3Ah				
Output Power Duration	3 hours				
Time to Charge	10 hours				
Ambient Product Usage Tolerance	-20°C to 40°C				
Ambient Product Storage Tolerance	-20°C to 40°C				
Product Dimensions (ØxH)	86 x 57mm (Module Only)				
Warranty	2 Years				

<sup>1</sup> Details are for D1 non-dimming driver. Refer to alternative driver data sheets for their details

<sup>2</sup> Excludes bracketry. Refer to the Packaging Weights & Dimensions data sheet for bracketry and accessory weights

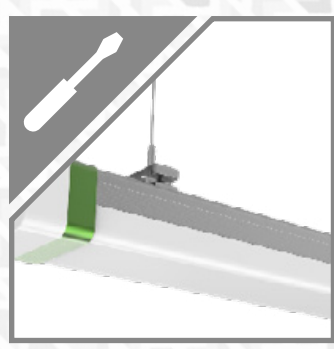
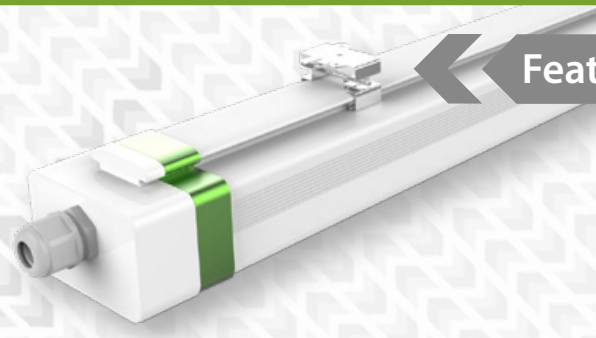
All stated values should be considered indicative only. Technical data is provided from sample luminaires and construction components as assessed by OEM(s) under industry-standard, laboratory conditions. In practice, stated values can vary. Kellwood Lighting operates a policy of continual product improvement. Our luminaires' capabilities are regularly enhanced to outperform in-class market alternatives. Please contact our technical team directly for clarifications prior to purchase. All images depicted should be considered indicative only. Stated product warranty periods do not include associated labour costs. Stated product warranty periods are for UK projects only. For international projects, please contact our offices directly. Optional upgrades can often affect or supersede unit technical parameters, capabilities, and warranties. It is the responsibility of the purchasing authority to ensure selected hardware is suitable for application. For further documentation, including Returns Policy and Conditions of Unit Failure, please contact our offices. Hazardous area documentation (eg. ATEX) are issued to OEM codes. WEEE compliance reference code: WEE/MP3838PR/SCH. Please do not look directly at LED lighting products during operation.

This datasheet & corresponding certification should be reviewed by a competent person to ensure project suitability.

©2020 Kellwood Engineering Ltd. All rights reserved.

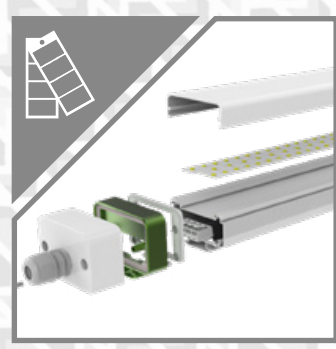


# Features Summary



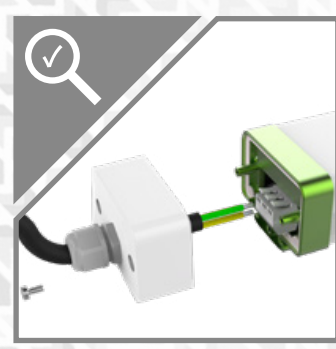
### Mounting Options

Surface mounting brackets (20mm central hole), wire suspension eye bolts, angle brackets (adjustable) - All mounting options 304 stainless steel materials c/w locking bolt



### Accent Ring Colouration

Green, custom (subject to MOQ)



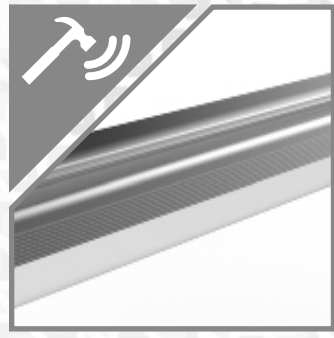
### Cable Entry

linkable 4 core terminal blocks, 3 core quick connector, rear cable entry (subject to MOQ)



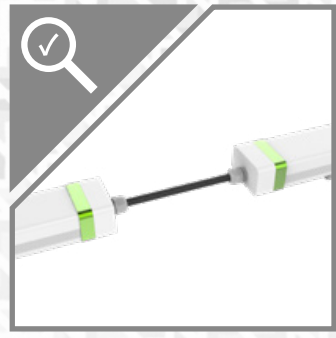
### Environmental Protection

IP66 rated anodised aluminium chassis



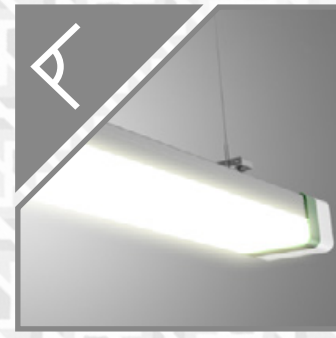
### Impact Protection

IK10 rated



### Application

Parallel, Series installation (daisy-chain max load is dependent on linking cable size)



### Distribution

General purpose symmetrical dispersion pattern suitable for most applications



### Driver Protocols

Non-dimming, 1-10V, DALI



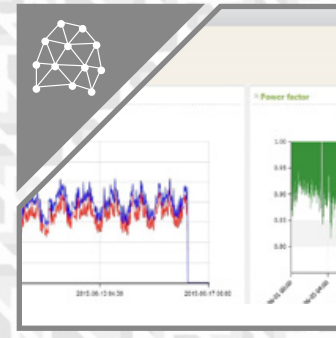
### Sensor(s)

Integrated, standalone (single or multiple luminaires per sensor options)



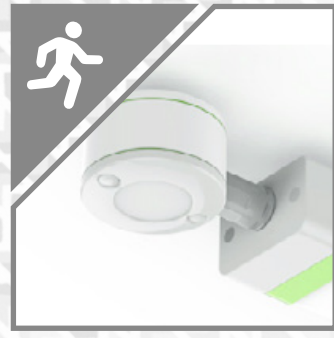
### Sensor Functions

Occupancy, multi-step dimming, photocell, daylight harvesting



### Advanced Controls

System energy reports, data monitoring, IoT (wireless/wired/mesh) networks



### Emergency Operation

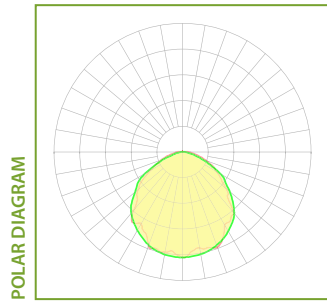
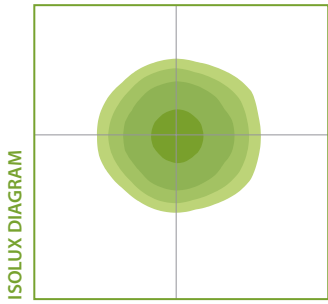
Non-Maintained, Self Test - 3 hour integrated, 3 hour module. Remote testing functionality can also be achieved by installing an emergency key switch on the permanent live.



Please note - images shown are intended to be illustrative only. For exact data, please refer to specific product photometry, available for download from our website.

## ◀ Indicative Product Photometry

### 120° Optic ▶▶



### Diffusers ▶▶

This series is available with the following diffusers. Each diffuser will have a varying effect on photometric distribution and intensity. Please refer to downloadable photometrics for exact data.



Frosted Diffuser



Clear Striped Diffuser

Colourations on isolux diagrams are qualitative, i.e. the same colour on any two isolux diagrams will not necessarily have the same lux value.



Standard product code fields are presented as:  
Further customisation may be available - please contact us if required



## Product Ordering Codes

PRODUCT	POWER	CRI & CCT	OPTIC	DRIVER	MOUNTING	COLOUR	MODIFICATIONS
<b>NI3</b>	<b>20A</b> 25W 1500mm	<b>830</b> CRI >80, 3000K	<b>FR</b> FROSTED DIFFUSER	<b>D1</b> NON-DIM	<b>TT</b> TWIN SURFACE/TRUNKING BRACKETS	<b>WH</b> WHITE	<b>LI'</b> LINKABLE VARIANT
	<b>30A</b> 32W 1500mm	<b>840</b> CRI >80, 4000K	<b>CL</b> CLEAR STRIPED DIFFUSER	<b>D2</b> 1-10V	<b>CS</b> CABLE SUSPENSION	<b>SI</b> SILVER	<b>RE</b> REAR CABLE ENTRY
	<b>40A</b> 40W 1500mm	<b>850</b> CRI >80, 5000K		<b>D3</b> DALI	<b>AB</b> TWIN ADJUSTABLE ANGLE BRACKETS		<b>Q1</b> 3-CORE TOOLLESS QUICK CONNECT
	<b>50A</b> 50W 1500mm	<b>860</b> CRI >90, 3000K		<b>D4M1</b> COMBINED 1-10V DRIVER & MICROWAVE SENSOR			
	<b>60A</b> 58W 1500mm	<b>930</b> CRI >90, 3000K					
		<b>940</b> CRI >90, 4000K					
		<b>950</b> CRI >90, 5000K					
		<b>960</b> CRI >90, 6000K					

<sup>1</sup> Linkable variant available for non-dimming (D1 Driver) only

<sup>2</sup> Remote testing functionality can also be achieved by installing an emergency key switch on the permanent live.

## GENERAL NOTES:

- IF MORE THAN ONE MODIFICATION IS REQUIRED, SEPARATE EACH MODIFICATION WITH A HYPHEN AT THE END OF THE PRODUCT CODE
- PLEASE ENSURE SELECTION OF COMPATIBLE DRIVER FOR OCCUPANCY SENSORS WITH DIMMING FUNCTIONALITY
- PLEASE NOTE THAT MODIFICATIONS WHICH AFFECT LIGHT OUTPUT HAVE SEPARATE PHOTOMETRIC FILES IDENTIFIED WITH "...+(MODIFICATION)"
- ALTERNATIVE DRIVERS MAY BE AVAILABLE - PLEASE CONTACT OUR OFFICE FOR FURTHER DETAILS
- IF PRODUCT IS CUSTOMISED, CODES WILL BE ALTERED AS NECESSARY

## Product Ordering Code Examples:

NI3-40A-850-FR-D1-TT-WH-LI

NI3-50A-850-CL-D4M1-CS-SI-LI

## DRIVER MANUFACTURER

POWER	D1	D2	D3	D4M1
<b>20A</b> 25W 1500mm	<b>Lifud</b>	<b>Lifud</b>	<b>Inventronics</b>	<b>Own Brand</b>
<b>30A</b> 32W 1500mm	<b>Lifud</b>	<b>Lifud</b>	<b>Inventronics</b>	<b>Own Brand</b>
<b>40A</b> 40W 1500mm	<b>Lifud</b>	<b>Lifud</b>	<b>Inventronics</b>	<b>Own Brand</b>
<b>50A</b> 50W 1500mm	<b>Lifud</b>	<b>Lifud</b>	<b>Inventronics</b>	<b>Own Brand</b>
<b>60A</b> 58W 1500mm	<b>Lifud</b>	<b>Lifud</b>	<b>Inventronics</b>	<b>Own Brand</b>

## ACCESSORIES

**ELG2-3-NM-S1<sup>2</sup>**

ELGIN 2 SERIES - PLUG IN 3W NON-MAINTAINED, SELF TEST MINI EMERGENCY MODULE.

**JB1**

IP68 13A IN-LINE CONNECTOR

**JB1-(LENGTH IN METRES)**

IP68 13A IN-LINE CONNECTOR WITH CABLE TO REQUESTED LENGTH

CONTACT OUR OFFICE FOR FURTHER INFORMATION ON DRIVER PARAMETERS

