

Products

Luminaire Controller - Wireless Node

The G3 wireless transceiver allows for wireless communication between luminaires, standalone controllers and all reporting devices.

Product Features

- Polycarbonate white housing.
- G3 devices provide 2 way DALI communication for advanced reporting.
- To be housed within a luminaire or can be ordered with strain relief end caps.
- Supplied as Antenna Up, Antenna Down or Antenna Down Through Versions.
- High Inrush Relay Version available.
- Configure light levels, fade rates and sensor parameters using an Android Tablet.
- Receives messages from linked devices, dims and switches connected appliances accordingly.



Inputs

- 230v Switched Live Input (Switch, PIR, Microwave, Photocell etc).
- Low Voltage Switch.
- PIR.
- Daylight Link.
- Self-test Emergency.

Outputs

- 230v Switched Live.
- Volt Free Relay (NO/NC).
- DSI / DALI / 1-10v / PWM.

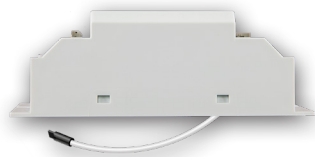
Technical Data

- Ta: -20° to +50° and Tc: 65°.
- IP20.
- <0.5w Standby Power.

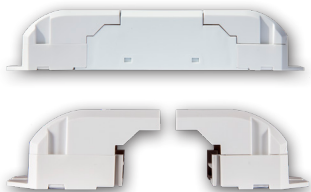
Notes:

1. Not to be connected to a powered DALI BUS.
2. For maximum number of DALI devices per Node please contact Kellwood
3. Backwards compatible with G2 devices but software update may be required.

Antenna Down Through Version

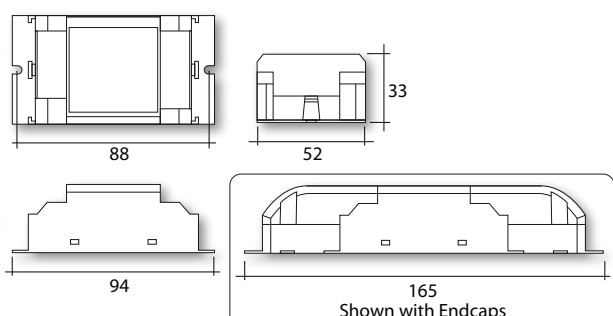


Strain Relief Endcaps



Part Code - LC-LIP-ND1-##-SR

Dimensions



Part Codes	Description
LC-LIP-ND1-WU-SR	Luminaire controller with Antenna Up
LC-LIP-ND1-WD-SR	Luminaire controller with Antenna Down
LC-LIP-ND1-WDT-SR	Luminaire controller with Antenna Down Through