



Group II, Zone 1 & 21 and 2 & 22, hazardous area linear luminaires with emergency signage

Ex II 2GD  
Ex db IIB T6 Gb  
Ex tb IIIC T80°C Db

CE, RoHS, & ATEX  
international product marks

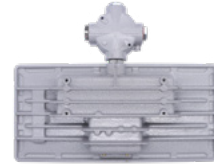


*Guide Series*

***Explosion Proof Emergency Bulkheads***

CDN:SPEC213REV1

## Technical Specifications Summary



### Performance Summary:

Code (Series-Wattage/Size)	GUI-6
Operating Power (Mains)	6W
Operating Power (Battery)	0.6W
Certification	CE, RoHS, ATEX
Product Warranty	3 Years

### Light Source and Photometric Parameters:

Chip Brand, Model, & Size	Jufei 2835
Light Emission	Direct
CCT	5700K
CRI	≥80
Viewing Distance	21m
Diffusers	Clear with emergency graphic

### Electrical Parameters:

System Operating Power	6W
Input Voltage	100-277VAC
Input Frequency	50-60Hz
Inrush Current	5A
Power Factor	0.612
Insulation Class	I
Surge Protection/Fusing	5kV

### Environmental Parameters:

IP Rating	IP66
IK Rating	IK08
Ambient Usage Tolerance	-40°C to 55°C
Ambient Storage Tolerance	-40°C to 55°C
Ambient Humidity Tolerance	0 to 95%

### Physical/Mechanical Parameters:

Product Dimensions: LxWxH (mm)	412 x 320 x 105
Wire-In-Wire-Out Installation	Yes
Inlet Thread	M20 (M20x1.5), M25 (M25x1.5), NPT3/4,
Gland Type <sup>2,3</sup>	Stainless Steel Non-armoured (Armoured optional)
Suitable Cable Size (ø) <sup>4</sup>	M20 = 6.1-13.2mm, M25 = 12.5-20.5mm, NPT3/4" = 12.5-20.5mm
Fixture Weight <sup>5</sup>	6.6kg
Fixture Primary Material(s)	Aluminium Alloy and 316 Stainless Steel Fixings
Fixture Finish	Powder Coated
Lens(es) Materials	Tempered Glass
Protection Method	Flame Proof

# Technical Specifications Summary

Code (Series-Wattage/Size)	GUI-6
<b>Options/Accessories:</b>	
Mounting Styles	Twin Surface Ceiling Mount, Surface Mount, Wall Mount, In-Line Pipe Mount
Miscellaneous Accessories	Emergency Legend: Arrow Up, Arrow Down, Arrow Left, Arrow Right
Available Product Colours	Grey (RAL7035)

<sup>1</sup> Details are for standard non-dimming driver

<sup>2</sup> Wire-in-wire-out compatible products supplied with one non-armoured ATEX certified gland and one ATEX certified blanking plug.

<sup>3</sup> Armoured Cable gland available as an optional accessory. Please contact Kellwood for more information.

<sup>4</sup> Stated cable size is applicable to standard gland. Armoured cable may vary, contact Kellwood for more information.

<sup>5</sup> Excludes bracketry. Refer to the Packaging Weights & Dimensions data sheet for bracketry and accessory weights

Certifications			
<b>Division</b>	ATEX Zone 1 & 21 and 2 & 22		
<b>Product Marking ATEX Certificate Issue 01</b>	⚠ II 2 G D Ex db IIB T6 Gb Ex tb IIIC T80°C Db *for further information please see temperature table		
<b>Product Marking ATEX Certificate Issue 02</b>	⚠ II 2 G D Ex db IIB + H2 T6 Gb Ex tb IIIC T80°C Db *for further information please see temperature table		
Temperature Table			
Product	Rated Power (Watts)	Temperature Class	
		-40° to 55°C (Ta)	
		Gas	Dust
Guide Series	6W	T6	T80°C
Certificate Number			
ATEX	SEV 22 ATEX 0608 X		
IECEx	IECEx SEV 22.0013X		

All stated values should be considered indicative only. Technical data is provided from sample luminaires and construction components as assessed by OEM(s) under industry-standard, laboratory conditions. In practice, stated values can vary. Kellwood Lighting operates a policy of continual product improvement. Our luminaires' capabilities are regularly enhanced to outperform in-class market alternatives. Please contact our technical team directly for clarifications prior to purchase. All images depicted should be considered indicative only. Stated product warranty periods do not include associated labour costs. Stated product warranty periods are for UK projects only. For international projects, please contact our offices directly. Optional upgrades can often affect or supersede unit technical parameters, capabilities, and warranties. It is the responsibility of the purchasing authority to ensure selected hardware is suitable for application. For further documentation, including Returns Policy and Conditions of Unit Failure, please contact our offices. Hazardous area documentation (eg. ATEX) are issued to OEM codes. WEEE compliance reference code: WEE/MP3838PR/SCH. Please do not look directly at LED lighting products during operation.

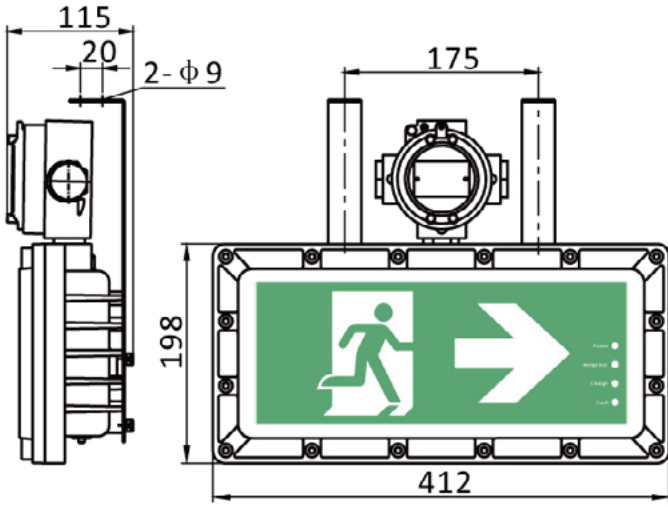
This datasheet & corresponding certification should be reviewed by a competent person to ensure project suitability.

©2020 Kellwood Engineering Ltd. All rights reserved.

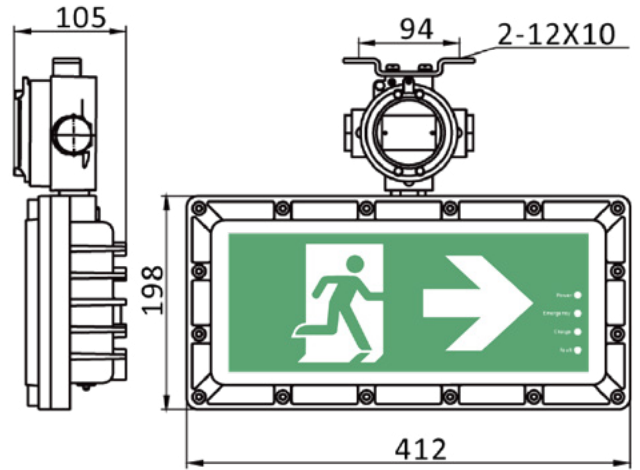


# Dimensional Drawings

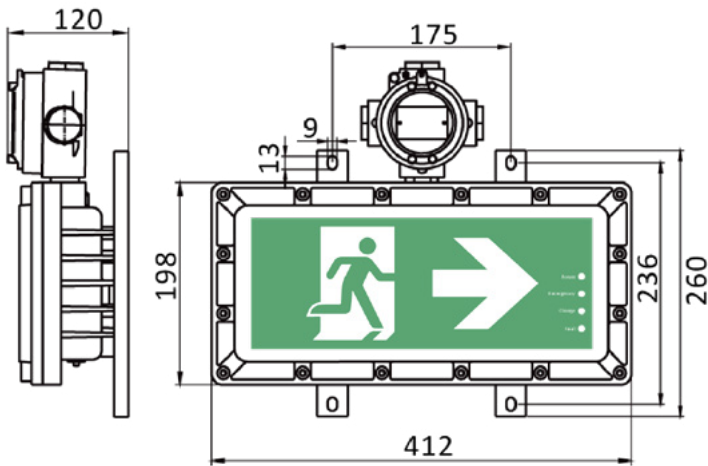
Twin Surface Ceiling Mount Brackets



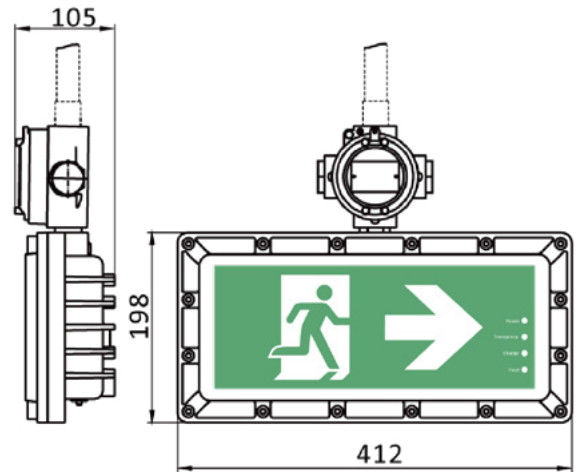
Surface Mount



Wall Mount



In-Line Pipe Mount



All units are in mm





Standard product code fields are presented as:  
Further customisation may be available - please contact us if required



## Product Ordering Codes

PRODUCT	POWER	DRIVER	MOUNTING	COLOUR	MOUNTING	EMERGENCY	CONFIGURABLE OPTIONS
<b>GUI</b>	<b>6</b> 6W	<b>V4</b> INPUT VOLTAGE 100-277 VAC	<b>TC</b> TWIN SURFACE MOUNT CEILING BRACKETS	<b>GR</b> GREY	<b>I1</b> M25 INLET THREAD	<b>E3S1-AD</b> INTEGRATED 3 HOUR 6W MAINTAINED EMERGENCY (SELF TEST) ARROW DOWN	<b>H2</b> CERTIFIED VERSION (Ex db IIB+H2 T6 Gb PRODUCT MARKING)
			<b>SM</b> SURFACE MOUNT		<b>I2</b> NPT3/4" INLET THREAD	<b>E3S1-AL</b> INTEGRATED 3 HOUR 6W MAINTAINED EMERGENCY (SELF TEST) ARROW LEFT	
			<b>IP</b> IN-LINE PIPE CONNECTOR MOUNT		<b>I4</b> M20 INLET THREAD	<b>E3S1-AR</b> INTEGRATED 3 HOUR 6W MAINTAINED EMERGENCY (SELF TEST) ARROW RIGHT	
			<b>WM</b> WALL MOUNT		<b>E3S1-AU</b> INTEGRATED 3 HOUR 6W MAINTAINED EMERGENCY (SELF TEST) ARROW UP		

### Product Ordering Code Examples:

*GUI-6-V4-WM-GR-I4-E3S1-AD*

*GUI-6-V4-IP-GR-I1-E3S1-AU-H2*

### BRACKETS & ACCESSORIES

CODE	DESCRIPTION
<b>GUI-TC</b>	TWIN SURFACE CEILING MOUNT BRACKETS FOR GUIDE SERIES
<b>GUI-SM</b>	SURFACE MOUNT FOR GUIDE SERIES
<b>GUI-IP</b>	IN-LINE PIPE CONNECTOR MOUNT FOR GUIDE SERIES
<b>GUI-WM</b>	WALL MOUNT FOR GUIDE SERIES

CONTACT OUR OFFICE FOR FURTHER INFORMATION ON DRIVER PARAMETERS

### GENERAL NOTES:

- IF MORE THAN ONE MODIFICATION IS REQUIRED, SEPARATE EACH MODIFICATION WITH A HYPHEN AT THE END OF THE PRODUCT CODE
- PLEASE ENSURE SELECTION OF COMPATIBLE DRIVER FOR OCCUPANCY SENSORS WITH DIMMING FUNCTIONALITY
- PLEASE NOTE THAT MODIFICATIONS WHICH AFFECT LIGHT OUTPUT HAVE SEPARATE PHOTOMETRIC FILES IDENTIFIED WITH "...+(MODIFICATION)"
- ALTERNATIVE DRIVERS MAY BE AVAILABLE - PLEASE CONTACT OUR OFFICE FOR FURTHER DETAILS
- IF PRODUCT IS CUSTOMISED, CODES WILL BE ALTERED AS NECESSARY - HAZARDOUS AREA CERTIFIED PRODUCT MODIFICATIONS ARE TYPICALLY LIMITED TO BRACKETRY (TO ENSURE COMPLIANCE WITH CERTIFICATION)
- HAZARDOUS AREA CERTIFIED PRODUCTS ARE LISTED USING KELLWOOD'S STANDARD ORDERING CODE TEMPLATE FOR MARKETING PURPOSES. PRODUCTS WILL BE SUPPLIED WITH OEM NAMEPLATES, CODES & DOCUMENTATION CORRESPONDING TO PRODUCT CERTIFICATION

