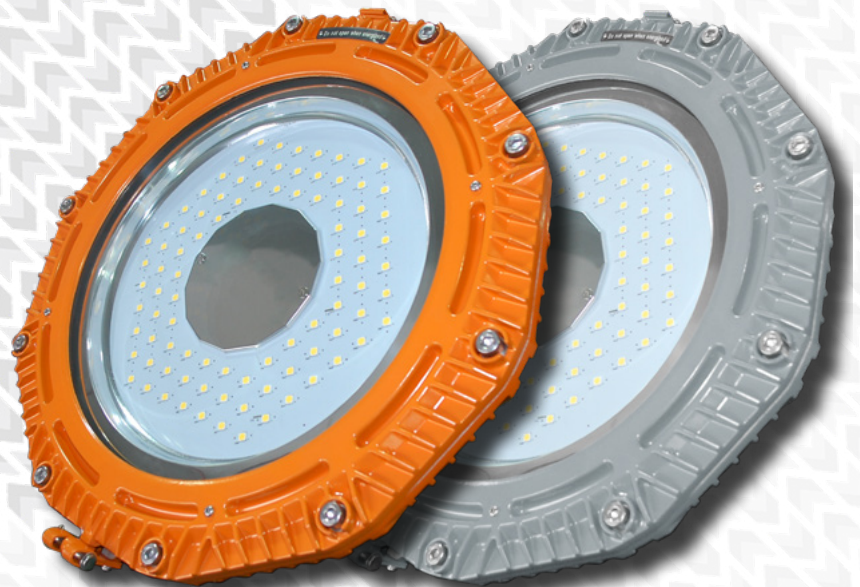




- Group II, Zone 1, hazardous area high bays & floodlights
- Product marking summary
⊕ II 2 GD
Ex db eb IIB T6 or T5 Gb
Ex tb IIIC T80°C or T 95°C Db
- CE, RoHS, ATEX, & IECEx international product marks
- The most competitive, high-end solution for projects worldwide



Sutherland 3 Series

Explosion Proof High Bays & Floodlights

CDN:SPEC132REV7

Technical Specifications Summary



Performance Summary:

Code (Series-Wattage/Size)	SUT3-120	SUT3-150
Nominal Power	120W	150W
Luminaire Efficacy @ CRI>70, 5700K CCT	128lm/W	129lm/W
Lumen Output @ CRI>70, 5700K CCT	12,276lm	14,850lm
Chip Lumen Maintenance (TM21 Reported)	L80B10 ≥67,029 hours @ 25°C Ambient	
Chip Lumen Maintenance (TM21 Calculated)	L80B10 ≥86,468 hours @ 25°C Ambient	
Certification	CE, RoHS	
Product Warranty	5 Years	

Light Source and Photometric Parameters:

Chip Brand, Model, & Size	Luxeon 5050
Chip Efficacy @ CRI>70, 5700K CCT	166 lm/W @ 160mA, Tj=25°C
Light Emission	Direct
CCT	5700K, (3000K, 4000K, 5000K optional)
CRI	≥70Ra, (≥80Ra optional)
Diffusers	Clear
Asymmetric Light Distribution	15°, 40°, 60°, 80°, 120°
Optical Accessories	Polycarbonate Diffuser

Electrical Parameters¹:

System Operating Power	120W	150W
Input Voltage	100-277VAC	
Input Frequency	50-60Hz	
Inrush Current @ 90-180VAC or 180-277VAC	65A	65A
Power Factor	>0.98	
THD	<10%	
Insulation Class	I	
Surge Protection/Fusing	5kV	

Environmental Parameters:

IP Rating	IP66
IK Rating ²	IK10/IK08 or IK10/IK10
Ambient Usage Tolerance	-40°C to 55°C
Ambient Storage Tolerance	-40°C to 55°C
Ambient Humidity Tolerance	0% to 90% RH

Physical/Mechanical Parameters:

Product Dimensions: LxWxH (mm)	426 x 410 x 167	426 x 410 x 167
Qty of LED Chips	90	90
Electrical Connection	Terminal Block 1mm ² to 4mm ² (Note: 1mm ² to 2mm ² if installed as Wire-In-Wire-Out configuration)	
Wire-In-Wire-Out Installation	Yes	
Inlet Thread	M20 (M20x1.5), M25 (M25x1.5), NPT3/4"	
Gland Type ^{3,4}	Brass with Nickel Plated Non-Armoured (Armoured optional)	
Suitable Cable Size (ø) ⁵	M20 = 9.5-15.9mm, M25 = 12.5-20.5mm, NPT3/4" = 12.5-20.5mm	
Fixture Weight ⁶	13.5kg	13.5kg
Fixture Primary Material(s)	ADC12 Aluminium Alloy (1.5-3.5% Copper) and 316 Stainless Steel Fixings	
Fixture Finish	Epoxy Powder Coating	
Lens(es) Materials	Tempered Glass	
Protection Method	Flame proof	



Technical Specifications Summary

Code (Series-Wattage/Size)	SUT3-120	SUT3-150
Options/Accessories:		
Mounting Styles	Universal Bracket, Surface Mount Bracket, Eye Bolt, Slip Fit, In-Line Pipe Connector	
Miscellaneous Accessories	Wire Guard	
Available Product Colours	Orange (RAL2011), Grey (RAL7040)	

¹ Details are for standard non-dimming driver

² (Format: "IK Rating: Housing" / "IK Rating: Front Face") – IK10 if fitted with wire guard accessory

³ Wire-in-wire-out compatible products supplied with one non-armoured ATEX certified gland and one ATEX certified blanking plug.

⁴ Armoured Cable gland available as a optional accessory. Please contact Kellwood for more information.

⁵ Stated cable size is applicable to standard gland. Armoured cable may vary, contact Kellwood for more information.

⁶ Excludes bracketry. Refer to the Packaging Weights & Dimensions data sheet for bracketry and accessory weights

Certifications			
Division	ATEX Zone 1 & 21 and 2 & 22		
Product Marking	⚠ II 2 G D Ex db eb IIB T* or T* Gb Ex tb IICT* or T* Db IP66 *for further information please see temperate table		
Temperature Table			
Product	Rated Power (Watts)	Temperature Class	
		-40° to 55°C (Ta)	
		Gas	Dust
Sutherland Series	120W	T6	T80°C
	150W	T5	T95°C
Certificate Number			
ATEX	EPT 20 ATEX 3846 X		
IECEx	IECEx QM 13.0003X		

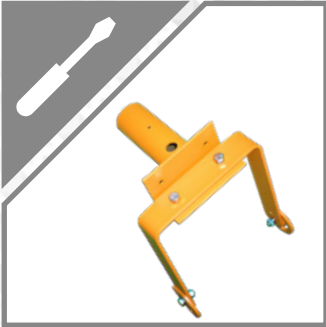
All stated values should be considered indicative only. Technical data is provided from sample luminaires and construction components as assessed by OEM(s) under industry-standard, laboratory conditions. In practice, stated values can vary. Kellwood Lighting operates a policy of continual product improvement. Our luminaires' capabilities are regularly enhanced to outperform in-class market alternatives. Please contact our technical team directly for clarifications prior to purchase. All images depicted should be considered indicative only. Stated product warranty periods do not include associated labour costs. Stated product warranty periods are for UK projects only. For international projects, please contact our offices directly. Optional upgrades can often affect or supersede unit technical parameters, capabilities, and warranties. It is the responsibility of the purchasing authority to ensure selected hardware is suitable for application. For further documentation, including Returns Policy and Conditions of Unit Failure, please contact our offices. Hazardous area documentation (eg. ATEX) are issued to OEM codes. WEEE compliance reference code: WEE/MP3838PR/SCH. Please do not look directly at LED lighting products during operation.

This datasheet & corresponding certification should be reviewed by a competent person to ensure project suitability.

©2020 Kellwood Engineering Ltd. All rights reserved.

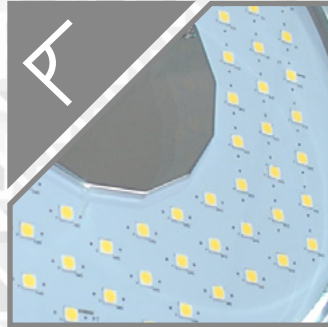


Features Summary



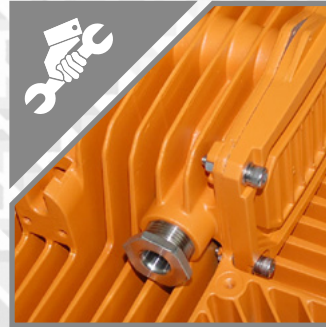
Mounting Options

Surface mount bracket, eye bolt, universal bracket, in-line pipe connector, slip fit & custom



Distribution

5no. optic variants are available for general & task-specific applications



User-Friendly

Terminal block enclosure covers are secured to the luminaire for easier installation & faster maintenance



Environmental Protection

IP66, aluminium body c/w corrosion resistant paint finish - Salt spray testing reports available



Impact Protection

IK09 body, IK08 tempered glass front-face - Wire guard accessory increases front-face impact protection from IK08 to IK10



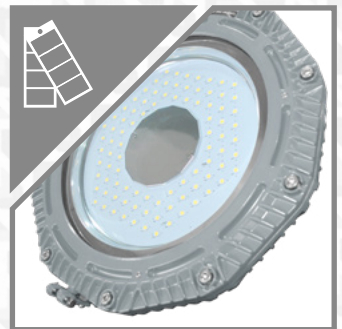
Electrical Protection

Custom-built PSU incorporates 5kV surge protection - Output voltage overload protection 49-53VDC



Reduced Glare

Recessed & spaced light engines also allow for excellent heat dissipation & low junction temperature



Optional Fitting Colours

Orange, grey, custom - Available subject to MOQ

Executive Standards

- IEC 60079-0:2007-10
- IEC 60079-1:2007-04
- IEC 60079-7:2006-07
- IEC 60079-31:2008
- EN 60079-0:2018
- EN 60079-1:2014
- EN 60079-7:2015+A1:2018
- EN 60079-31:2014
- EN 60598-1:2008+A11:2009
- EN 55015:2013
- IEC 62321:2008

Division

- ATEX Zone 1 & 21 and 2 & 22

Certifications & Ratings

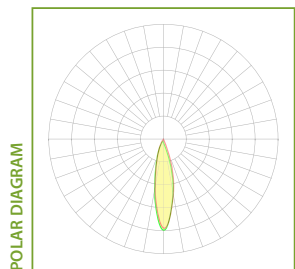
- Ex db eb IIB T6 or T5 Gb
- Ex tb IIIC T80°C or T95°C Db T80°C Db IP 66
- ATEX Compliant
- IECEx Compliant
- ABS Compliant
- CE Compliant
- RoHS Compliant
- IP66 Rated



Please note - images shown are intended to be illustrative only. For exact data, please refer to specific product photometry, available for download from our website.

Indicative Product Photometry

H1V1 - 15°

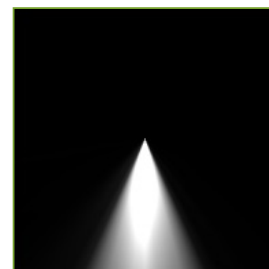
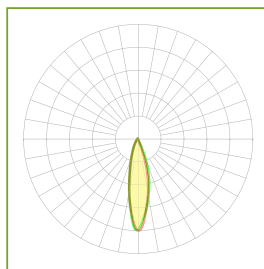


POLAR DIAGRAM

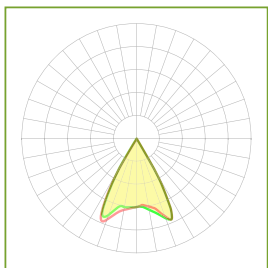


3D VISUAL RENDER

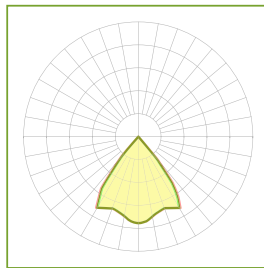
H3V3 - 40°



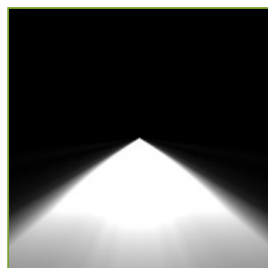
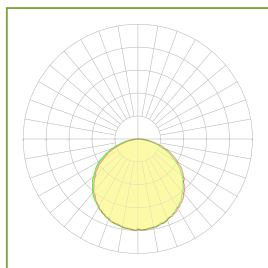
H4V4 - 60°



H5V5 - 80°



H6V6 - 120°

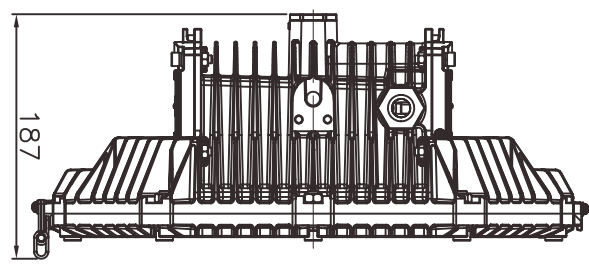
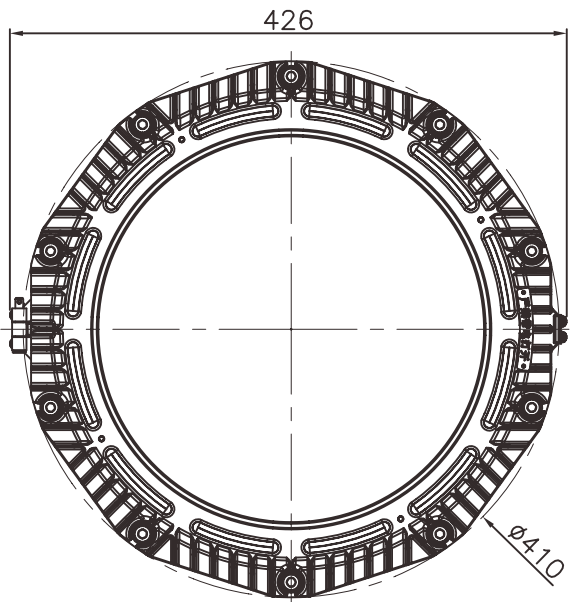


Colourations on isolux diagrams are qualitative, i.e. the same colour on any two isolux diagrams will not necessarily have the same lux value.

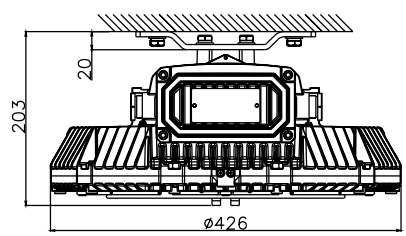
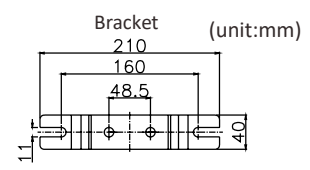




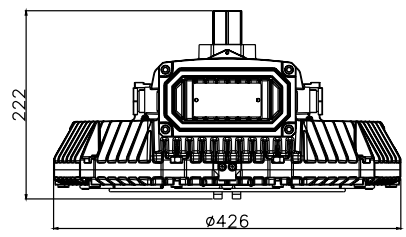
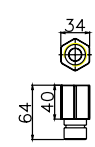
Dimensional Drawings



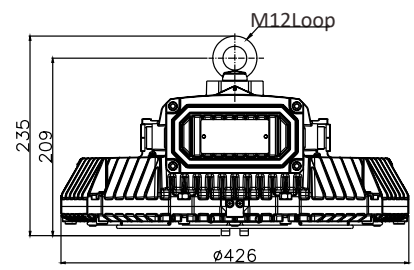
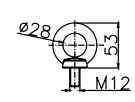
Surface Mount Bracket



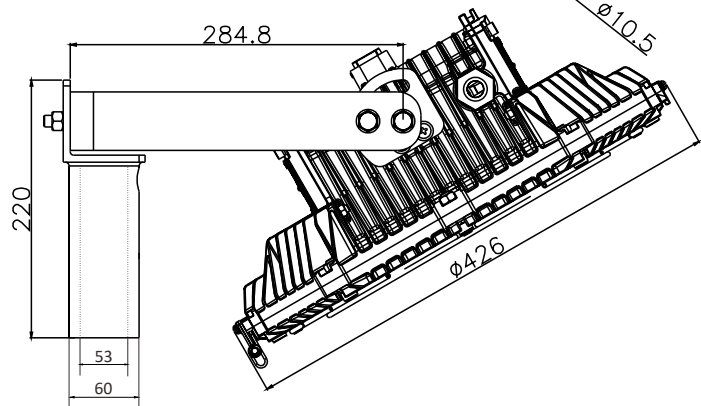
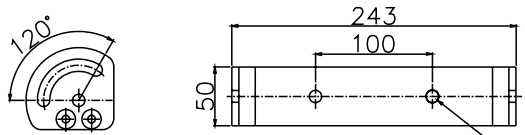
In-Line Pipe Connector



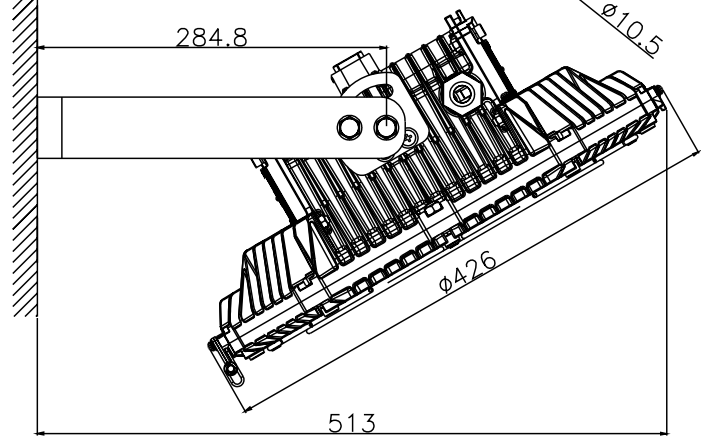
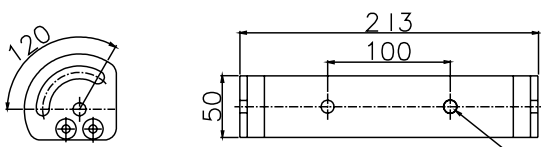
Eye Bolt



Slip Fit

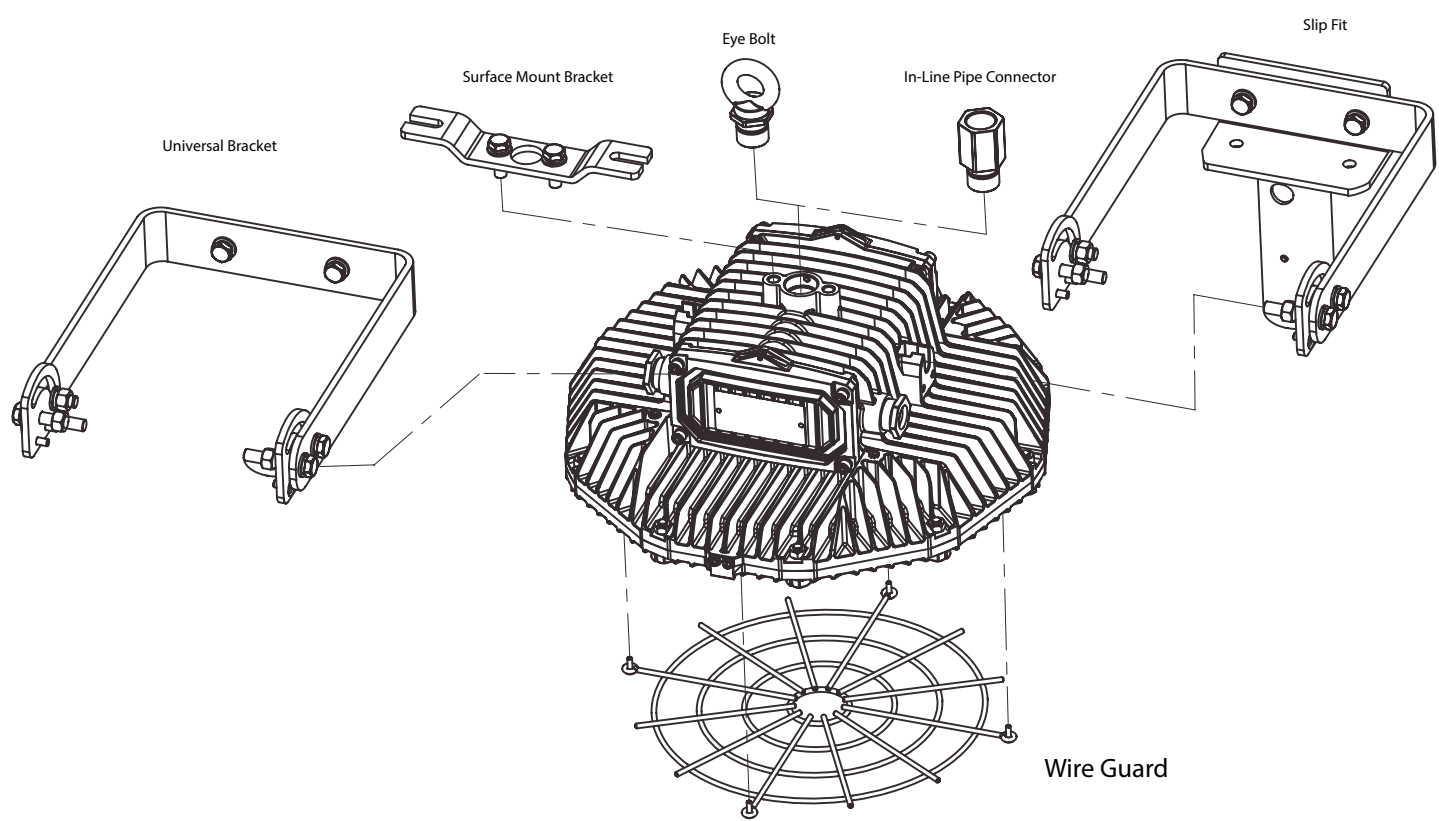


Universal Bracket





Bracketry





Standard product code fields are presented as:
Further customisation may be available - please contact us if required



Product Ordering Codes

PRODUCT	POWER	CRI & CCT	OPTIC	DRIVER	MOUNTING	COLOUR	THREAD	CONFIGURABLE OPTIONS
SUT3	120 120W	740 CRI >70, 4000K	15 15° CIRCULAR (H1V1)	V4 INPUT VOLTAGE 100-277 VAC	UB UNIVERSAL BRACKET	OR ORANGE	I1 M25 INLET THREAD	WG WIRE GRILL
	150 150W	750 CRI >70, 5000K	40 40° CIRCULAR (H3V3)		SM SURFACE MOUNT BRACKET	GR GREY	I2 NPT3/4" INLET THREAD	PC POLYCARBONATE DIFFUSER
		757 CRI >70, 5700K	60 60° CIRCULAR (H4V4)		EB EYE BOLT		I4 M20 INLET THREAD	
		830 CRI >80, 3000K	80 80° CIRCULAR (H5V5)		SF SLIP FIT			
		120 120° CIRCULAR (H6V6)		IP IN-LINE PIPE CONNECTOR				

Product Ordering Code Examples:
SUT3-120-757-120-V4-UB-OR-I1
SUT3-150-740-80-V4-EB-GR-I2-WG

BRACKETS & ACCESSORIES	
CODE	DESCRIPTION
SUT3-UB	UNIVERSAL BRACKET FOR SUTHERLAND 3 SERIES
SUT3-SM	SURFACE MOUNT BRACKET FOR SUTHERLAND 3 SERIES
SUT3-EB	EYE BOLT FOR SUTHERLAND 3 SERIES
SUT3-SF	SLIP-FIT FOR SUTHERLAND 3 SERIES
SUT3-IP	IN-LINE PIPE CONNECTOR FOR SUTHERLAND 3 SERIES
SUT3-WG	WIRE GRILL FOR SUTHERLAND 3 SERIES

CONTACT OUR OFFICE FOR FURTHER INFORMATION ON DRIVER PARAMETERS

GENERAL NOTES:

- IF MORE THAN ONE MODIFICATION IS REQUIRED, SEPARATE EACH MODIFICATION WITH A HYPHEN AT THE END OF THE PRODUCT CODE
- PLEASE ENSURE SELECTION OF COMPATIBLE DRIVER FOR OCCUPANCY SENSORS WITH DIMMING FUNCTIONALITY
- PLEASE NOTE THAT MODIFICATIONS WHICH AFFECT LIGHT OUTPUT HAVE SEPARATE PHOTOMETRIC FILES IDENTIFIED WITH "...+(MODIFICATION)"
- ALTERNATIVE DRIVERS MAY BE AVAILABLE - PLEASE CONTACT OUR OFFICE FOR FURTHER DETAILS
- IF PRODUCT IS CUSTOMISED, CODES WILL BE ALTERED AS NECESSARY - HAZARDOUS AREA CERTIFIED PRODUCT MODIFICATIONS ARE TYPICALLY LIMITED TO BRACKETRY (TO ENSURE COMPLIANCE WITH CERTIFICATION)
- HAZARDOUS AREA CERTIFIED PRODUCTS ARE LISTED USING KELLWOOD'S STANDARD ORDERING CODE TEMPLATE FOR MARKETING PURPOSES. PRODUCTS WILL BE SUPPLIED WITH OEM NAMEPLATES, CODES & DOCUMENTATION CORRESPONDING TO PRODUCT CERTIFICATION

