



- Group II, Zone 2, hazardous area floodlights, mast lights, & high bays
- Product marking summary
Ex II 3 G D
Ex nR IIC T* Gc
Ex tc IIIC T* Dc IP66
- CE, RoHS, ATEX & IECEx international product marks
- The most competitive, high-end solution for projects worldwide



Gainsborough 3 Series **Explosion Proof Floodlights & High Bays**

* Product/temperature dependant - contact office for details

CDN:SPEC129REV11

◀ Technical Specifications Summary



Performance Summary:

Code (Series-Wattage/Size)	GAI3-80	GAI3-120	GAI3-160	GAI3-200	GAI3-240
Nominal Power	80W	120W	160W	200W	240W
Luminaire Efficacy @ CRI>70, 5000K CCT	130lm/W	130lm/W	130lm/W	130lm/W	130lm/W
Lumen Output @ CRI>70, 5000K CCT	10,400lm	15,600lm	20,800lm	26,200lm	31,440lm
Chip Lumen Maintenance (TM21 Reported)	L80B10 ≥67,029 hours @ 25°C Ambient				
Chip Lumen Maintenance (TM21 Calculated)	L80B10 ≥86,468 hours @ 25°C Ambient				
Certification	CE, RoHS, ATEX, IECEx				
Product Warranty	5 Years				

Light Source and Photometric Parameters:

Chip Brand, Model, & Size	Luxeon 5050
Chip Efficacy @ CRI>70, 5700K CCT	166 lm/W @ 160mA, Tj=25°C
Light Emission	Direct
CCT	5700K, (3000K, 4000K, 5000K optional)
CRI	≥70Ra, (≥80Ra optional)
Diffusers	Clear
Symmetric Distribution	120°, (15°, 40°, 60°, 80° optional)

Electrical Parameters¹:

System Operating Power	80W	120W	160W	200W	240W
Input Voltage	100-130VAC, 220-240VAC				
Input Frequency	50-60Hz				
Power Factor	>0.98				
THD	<10% (220-240VAC)				
Insulation Class	I				
Surge Protection/Fusing	6kV				

Environmental Parameters:

IP Rating	IP66
IK Rating ²	IK10/IK08 or IK10/IK10
Ambient Usage Tolerance	-40°C to 55°C
Ambient Storage Tolerance	-40°C to 55°C
Ambient Humidity Tolerance	0% to 90% RH

Technical Specifications Summary

Code (Series-Wattage/Size)	GAI3-80	GAI3-120	GAI3-160	GAI3-200	GAI3-240
Physical/Mechanical Parameters:					
Product Dimensions: LxWxH (mm)	210 x 400 x 161	260 x 400 x 161	260 x 400 x 161	500 x 400 x 161	500 x 400 x 161
Qty of LED Chips	42	60	76	120	120
Standard Electrical Connection	Terminal Block 1mm ² to 4mm ² - 0.7m 1mm ² 3-Core Cable (Note: 1mm ² to 2mm ² if installed as Wire-In-Wire-Out configuration)				
Electrical Connection JB (Optional)	Recommended for armoured cable glands, supplied without cable glands				
Wire-In-Wire-Out Installation	Yes (JB option only)				
Inlet Thread	M20 (M20x1.5), M25 (M25x1.5), NPT3/4"				
Gland Type^{3,4}	Brass with Nickel Plated Non-Armoured (Armoured optional)				
Suitable Cable Size (ø) ⁵	M20 = 6.1-13.2mm, M25 = 9.5-15.9mm, NPT3/4" = 12.5-20.5mm				
Fixture Weight⁶	7.3kg	11.0kg	11.0kg	18.4kg	18.4kg
Fixture Primary Material(s)	6063 Copper-Free Aluminium Alloy (≤0.1% Copper) and 316 Stainless Steel Fixings				
Fixture Finish	Epoxy Powder Coated				
Lens(es) Materials	Tempered Glass				
Protection Method	Restricted Breathing				
Options/Accessories:					
Mounting Styles	Universal Bracket, Slip Fit, Pipe Clamp Mount, Eye Bolt, Cable Suspension				
Miscellaneous Accessories	Wire Grill				
Available Product Colours	Orange (RAL2011), Grey (RAL7040)				

¹ Details are for standard non-dimming driver

² (Format: "IK Rating: Housing" / "IK Rating: Front Face") – IK10 if fitted with wire guard accessory

³ Wire-in-wire-out compatible products supplied with one non-armoured ATEX certified gland and one ATEX certified blanking plug.

⁴ Armoured Cable gland available as a optional accessory. Please contact Kellwood for more information.

⁵ Stated cable size is applicable to standard gland. Armoured cable may vary, contact Kellwood for more information.

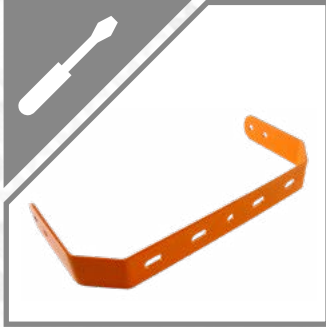
⁶ Excludes bracketry. Refer to the Packaging Weights & Dimensions data sheet for bracketry and accessory weights

Certifications					
Division	ATEX Zone 2 & 22				
Product Marking	Ⓔ II 3 G D Ex nR IICT* Gc Ex tc IIIC T* Dc IP66 *for further information please see temperate table				
Temperature Table					
Product	Rated Power (Watts)	Temperature Class			
		-40° to 40°C (Ta)		-40°C to 55°C (Ta)	
		Gas	Dust	Gas	Dust
Gainsborough Series	80W	T6	T80°C	T5	T95°C
	120W				
	160W				
	200W				
	240W	T5	T95°C	T4	T130°C
Certificate Number					
ATEX	LCIE 14 ATEX 1014 X				
IECEX	IECEX CQM 13.0044X				

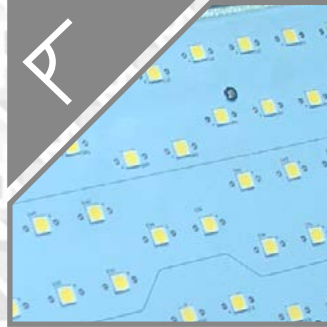
All stated values should be considered indicative only. Technical data is provided from sample luminaires and construction components as assessed by OEM(s) under industry-standard, laboratory conditions. In practice, stated values can vary. Kellwood Lighting operates a policy of continual product improvement. Our luminaires' capabilities are regularly enhanced to outperform in-class market alternatives. Please contact our technical team directly for clarifications prior to purchase. All images depicted should be considered indicative only. Stated product warranty periods do not include associated labour costs. Stated product warranty periods are for UK projects only. For international projects, please contact our offices directly. Optional upgrades can often affect or supersede unit technical parameters, capabilities, and warranties. It is the responsibility of the purchasing authority to ensure selected hardware is suitable for application. For further documentation, including Returns Policy and Conditions of Unit Failure, please contact our offices. Hazardous area documentation (eg. ATEX) are issued to OEM codes. WEEE compliance reference code: WEE/MP3838PR/SCH. Please do not look directly at LED lighting products during operation.

This datasheet & corresponding certification should be reviewed by a competent person to ensure project suitability.

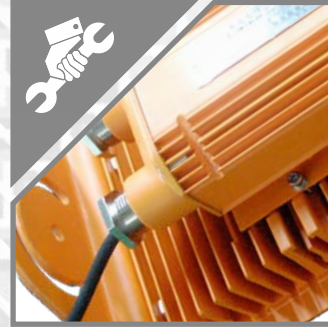
©2020 Kellwood Engineering Ltd. All rights reserved.

Technical Specifications Summary

Mounting Options

Pipe clamp mount, universal bracket, slip fit, eye bolt, cable suspension, & custom


Distribution

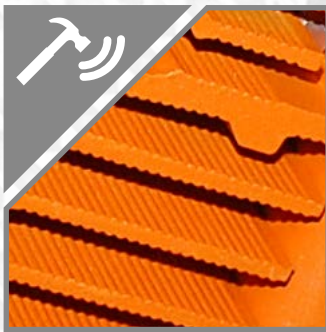
5 no. optic variants are available for general & task-specific applications


User-Friendly

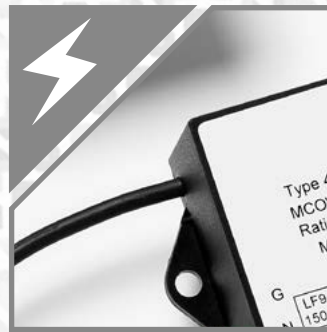
Terminal block enclosure covers are secured to the luminaire for easier installation & faster maintenance


Environmental Protection

IP66, copper-free aluminium body c/w corrosion resistant paint finish - Salt spray testing reports available


Impact Protection

IK10 body, IK08 tempered glass front-face - Wire guard accessory increases front-face impact protection from IK08 to IK10


Electrical Protection

Custom-built PSU incorporates 4 or 6kV surge protection - Output voltage overload protection 54-63VDC


Optional Fitting Colours

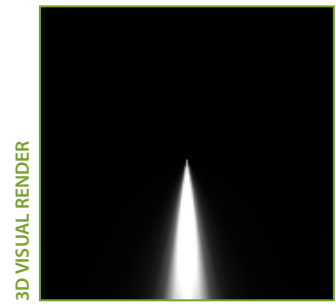
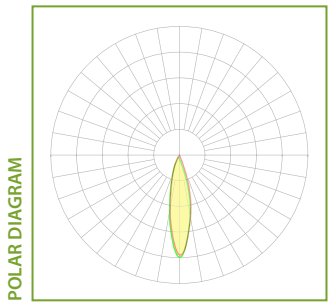
Orange, grey, custom - Available subject to MOQ



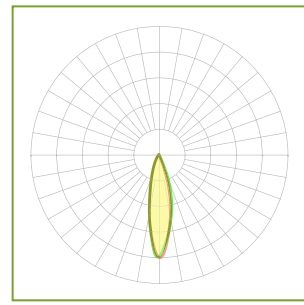
Please note - images shown are intended to be illustrative only. For exact data, please refer to specific product photometry, available for download from our website.

Indicative Product Photometry

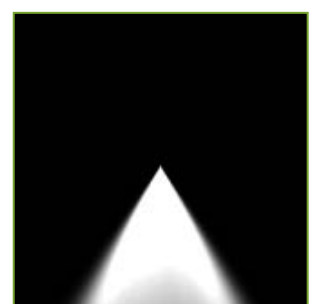
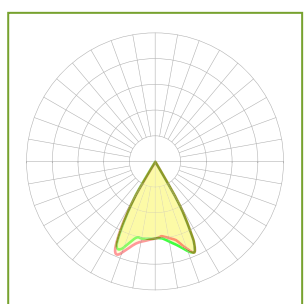
H1V1 - 15°



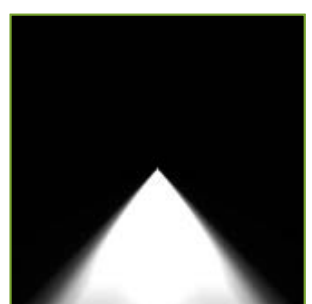
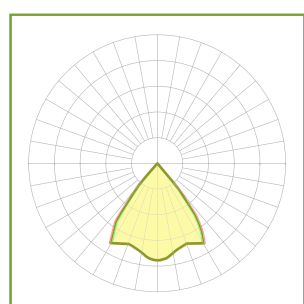
H3V3 - 40°



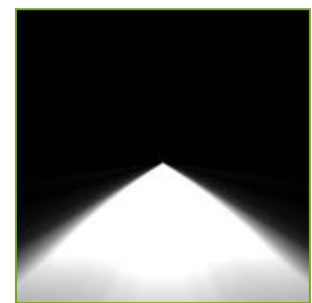
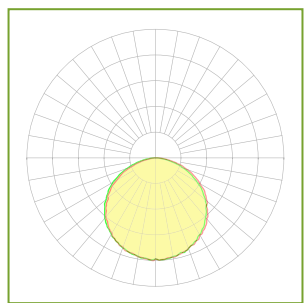
H4V4 - 60°



H5V5 - 80°



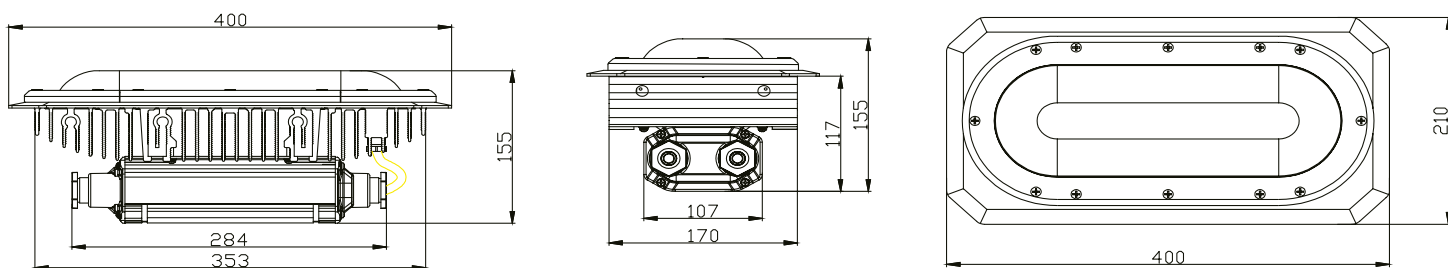
H6V6 - 120°



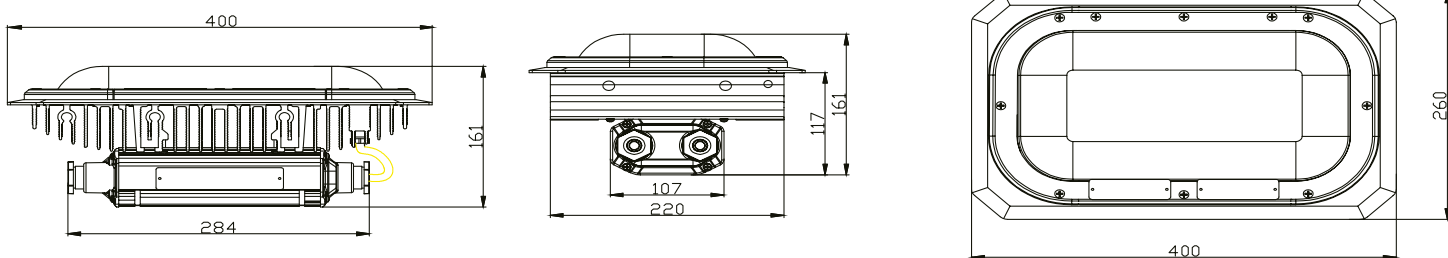
Colourations on isolux diagrams are qualitative, i.e. the same colour on any two isolux diagrams will not necessarily have the same lux value.

Dimensional Drawings

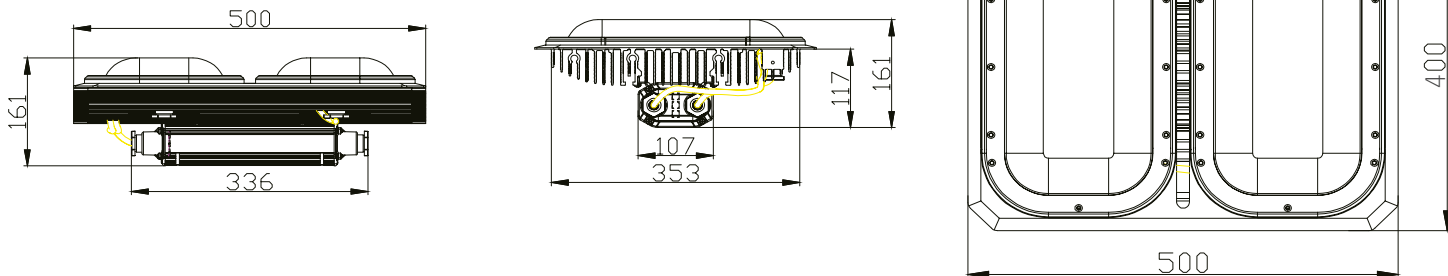
Nominal Power / Product Class 80W



Nominal Power / Product Class 120W, 160W

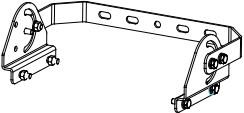
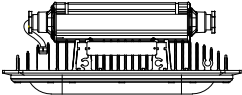
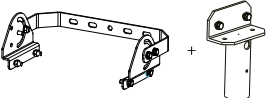
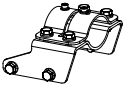



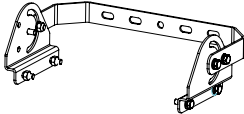
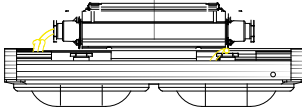
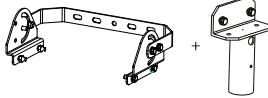

Nominal Power / Product Class 200W, 240W



Bracketry

The tables below detail the mounting options available with each wattage:

	 80W, 120W, 180W Luminaire
	
	
	

	 200, 240W Luminaire
	
	



Standard product code fields are presented as:
Further customisation may be available - please contact us if required



Product Ordering Codes

PRODUCT	POWER	CRI & CCT	OPTIC	DRIVER	MOUNTING*	COLOUR	THREAD	CONFIGURABLE OPTION
GAI3	80 80W	740 CRI >70, 4000K	15 15° CIRCULAR (H1V1)	V10 INPUT VOLTAGE 100-130 VAC	UB UNIVERSAL BRACKET	OR ORANGE	I1 M25 INLET THREAD	WG WIRE GRILL
	120 120W	750 CRI >70, 5000K	40 40° CIRCULAR (H3V3)	V11 INPUT VOLTAGE 220-240 VAC	SF SLIP FIT	GR GREY	I2 NPT3/4" INLET THREAD	JB 90° CABLE ENTRY OPTION RECOMMENDED FOR ARMoured CABLE GLAND
	160 160W	757 CRI >70, 5700K	60 60° CIRCULAR (H4V4)		PC PIPE CLAMP MOUNT		I4 M20 INLET THREAD	
	200 200W	830 CRI >80, 3000K	80 80° CIRCULAR (H5V5)		EB EYE BOLT			
	240 240W		120 120° CIRCULAR (H6V6)		CS CABLE SUSPENSION			

Product Ordering Code Examples:

GAI3-120-757-80-V11-UB-OR-I1

GAI3-200-750-FW-V11-PC-GR-I2

*NOT ALL BRACKETRY IS AVAILABLE WITH ALL WATTAGES - PLEASE REFER TO BRACKETRY TABLES FOR FURTHER DETAILS

BRACKETS & ACCESSORIES	
CODE	DESCRIPTION
GAI3-UB1	UNIVERSAL BRACKET FOR 80W, 120W, 160W GAINSBOROUGH 3 SERIES
GAI3-SF1	SLIP FIT FOR 80W, 120W, 160W GAINSBOROUGH 3 SERIES
GAI3-PC1	PIPE CLAMP FOR 80W, 120W, 160W GAINSBOROUGH 3 SERIES
GAI3-CS1	CABLE SUSPENSION FOR 80W, 120W, 160W GAINSBOROUGH 3 SERIES
GAI3-UB2	UNIVERSAL BRACKET FOR 200W, 240W GAINSBOROUGH 3 SERIES
GAI3-SF2	SLIP-FIT FOR 200W, 240W GAINSBOROUGH 3 SERIES
GAI3-EB2	EYE BOLT FOR 200W, 240W GAINSBOROUGH 3 SERIES
GAI3-WG	WIRE GRILL FOR GAINSBOROUGH 3 SERIES

GENERAL NOTES:

- IF MORE THAN ONE MODIFICATION IS REQUIRED, SEPARATE EACH MODIFICATION WITH A HYPHEN AT THE END OF THE PRODUCT CODE
- PLEASE ENSURE SELECTION OF COMPATIBLE DRIVER FOR OCCUPANCY SENSORS WITH DIMMING FUNCTIONALITY
- PLEASE NOTE THAT MODIFICATIONS WHICH AFFECT LIGHT OUTPUT HAVE SEPARATE PHOTOMETRIC FILES IDENTIFIED WITH "...+(MODIFICATION)"
- ALTERNATIVE DRIVERS MAY BE AVAILABLE - PLEASE CONTACT OUR OFFICE FOR FURTHER DETAILS
- IF PRODUCT IS CUSTOMISED, CODES WILL BE ALTERED AS NECESSARY - HAZARDOUS AREA CERTIFIED PRODUCT MODIFICATIONS ARE TYPICALLY LIMITED TO BRACKETRY (TO ENSURE COMPLIANCE WITH CERTIFICATION)
- HAZARDOUS AREA CERTIFIED PRODUCTS ARE LISTED USING KELLWOOD'S STANDARD ORDERING CODE TEMPLATE FOR MARKETING PURPOSES. PRODUCTS WILL BE SUPPLIED WITH OEM NAMEPLATES, CODES & DOCUMENTATION CORRESPONDING TO PRODUCT CERTIFICATION

CONTACT OUR OFFICE FOR FURTHER INFORMATION ON DRIVER PARAMETERS

