

- Group II, Zone 1, hazardous area low bay & pendant light

- Product marking summary

Ex II 2 G D

Ex d IIB T5 or T6 Gb

Ex t IIIC T95°C or T80°C Db IP66

- CE, RoHS, ATEX & IECEx International product marks

- The most competitive, high-end solution for projects worldwide



Rankine 3 Series **Explosion Proof Low Bay & Pendant Lights**

CDN:SPEC131REV12

Technical Specifications Summary



Performance Summary:

Code (Series-Wattage/Size)	RAN3-30	RAN3-60
Nominal Power	30W	60W
Luminaire Efficacy @ CRI>70, 5700K CCT	130lm/W	125lm/W
Lumen Output @ CRI>70, 5700K CCT	3,090lm	5,940lm
Chip Lumen Maintenance (TM21 Reported)	L80B10 ≥67,029 hours @ 25°C Ambient	
Chip Lumen Maintenance (TM21 Calculated)	L80B10 ≥86,468 hours @ 25°C Ambient	
Certification	CE, RoHS, ATEX, IECEx	
Product Warranty	5 Years	

Light Source and Photometric Parameters:

Chip Brand, Model, & Size	Luxeon 5050
Chip Efficacy @ CRI>70, 5700K CCT	166 lm/W @ 160mA, Tj=25°C
Light Emission	Direct
CCT	5700K, (3000K, 4000K, 5000K optional)
CRI	≥70, ≥80
Diffusers	Clear
Symmetric Light Distribution	15°, 80°

Electrical Parameters¹:

System Operating Power	30W	60W
Input Voltage	100-240VAC	
Input Frequency	50-60Hz	
Inrush Current @ 100-240VAC	30A	30A
Power Factor	>0.98	
THD	<10% (100VAC-240VAC)	
Insulation Class	I	
Surge Protection/Fusing	5kV	

Environmental Parameters:

IP Rating	IP66
IK Rating ²	IK10/IK08 or IK10/IK10
Ambient Usage Tolerance	-40°C to 55°C
Ambient Storage Tolerance	-40°C to 55°C
Ambient Humidity Tolerance	0% to 90% RH

Physical/Mechanical Parameters:

Product Dimensions: LxWxH (mm)	311 x 284 x 190	311 x 284 x 190
Qty of LED Chips	28	28
Electrical Connection	Recommended 1mm ² to 4mm ²	
Wire-In-Wire-Out Installation	Yes	
Inlet Thread	M20 (M20x1.5), M25 (M25x1.5), NPT3/4"	
Gland Type ^{3,4}	Brass with Nickel Plated Non-Armoured (Armoured optional)	
Suitable Cable Size (ø) ⁵	M20 = 6.1-13.2mm, M25 = 9.5-15.9mm, NPT3/4" = 12.5-20.5mm	
Fixture Weight ⁶	5.3kg	5.3kg
Fixture Primary Material(s)	ADC12 Aluminium Alloy (1.5-3.5% Copper) and 316 Stainless Steel Fixings	
Fixture Finish	Epoxy Powder Coated	
Lens(es) Materials	Tempered Glass	
Protection Method	Flame Proof	

Technical Specifications Summary

Code (Series-Wattage/Size)	RAN3-30	RAN3-60
Options/Accessories:		
Mounting Styles	Universal Bracket, Eye Bolt, Surface Mount Bracket, Pipe Clamp Mount	
Miscellaneous Accessories	Wire Grill	
Available Product Colours	Orange (RAL2011), Grey (RAL7040)	

¹ Details are for standard non-dimming driver

² (Format: "IK Rating: Housing" / "IK Rating: Front Face") – IK10 if fitted with wire guard accessory

³ Wire-in-wire-out compatible products supplied with one non-armoured ATEX certified gland and one ATEX certified blanking plug.

⁴ Armoured Cable gland available as an optional accessory. Please contact Kellwood for more information.

⁵ Stated cable size is applicable to standard gland. Armoured cable may vary, contact Kellwood for more information.

⁶ Excludes bracketry. Refer to the Packaging Weights & Dimensions data sheet for bracketry and accessory weights

Certifications					
Division	ATEX Zone 1 & 21 and 2 & 22				
Product Marking	⚠ II 2 G D Ex d IIB T* or T* Gb Ex t IIIC T* or T* Db IP66 *for further information please see temperate table				
Temperature Table					
Product	Rated Power (Watts)	Temperature Class			
		-40° to 40°C (Ta)		-40°C to 55°C (Ta)	
		Gas	Dust	Gas	Dust
Rankine Series	30W	-	-	T6	T80°C
	60W	T6	T80°C	T5	T95°C
Certificate Number					
ATEX	LCIE 12 ATEX 3070 X				
IECEX	IECEX CQM 12.0033X				

All stated values should be considered indicative only. Technical data is provided from sample luminaires and construction components as assessed by OEM(s) under industry-standard, laboratory conditions. In practice, stated values can vary. Kellwood Lighting operates a policy of continual product improvement. Our luminaires' capabilities are regularly enhanced to outperform in-class market alternatives. Please contact our technical team directly for clarifications prior to purchase. All images depicted should be considered indicative only. Stated product warranty periods do not include associated labour costs. Stated product warranty periods are for UK projects only. For international projects, please contact our offices directly. Optional upgrades can often affect or supersede unit technical parameters, capabilities, and warranties. It is the responsibility of the purchasing authority to ensure selected hardware is suitable for application. For further documentation, including Returns Policy and Conditions of Unit Failure, please contact our offices. Hazardous area documentation (eg. ATEX) are issued to OEM codes. WEEE compliance reference code: WEE/MP3838PR/SCH. Please do not look directly at LED lighting products during operation.

This datasheet & corresponding certification should be reviewed by a competent person to ensure project suitability.

©2020 Kellwood Engineering Ltd. All rights reserved.



Features Summary



Mounting Options

Surface mount bracket, pipe clamp mount, universal bracket, eye bolt, & custom



Distribution

2no. optic variants are available for general & task-specific applications



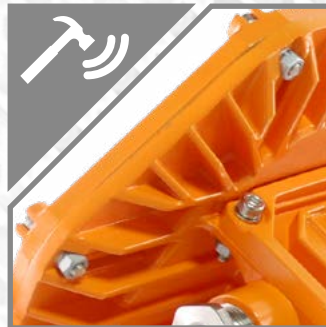
User Friendly

Terminal block enclosure covers are secured to the luminaire for easier installation & faster maintenance



Environmental Protection

IP66, aluminium body c/w corrosion resistant paint finish - Salt spray testing reports available



Impact Protection

IK10 body, IK08 tempered glass front-face - Wire guard accessory increases front-face impact protection from IK08 to IK10



Electrical Protection

Custom-built PSU incorporates 5kV surge protection - Output voltage overload protection 48-51VDC



Reduced Glare

Recessed & spaced light engines also allow for excellent heat dissipation & low junction temperature



Optional Fitting Colours

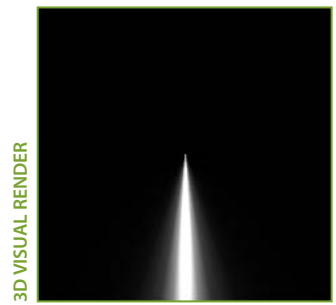
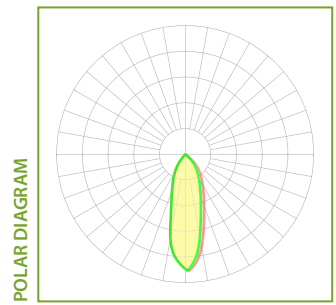
Orange, grey, custom - Available subject to MOQ



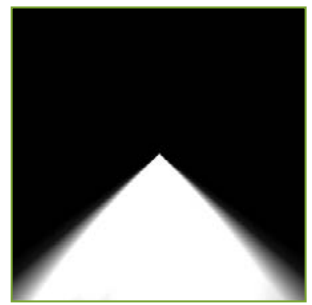
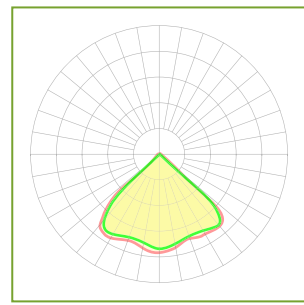
Please note - images shown are intended to be illustrative only. For exact data, please refer to specific product photometry, available for download from our website.

Indicative Product Photometry

S - 15°

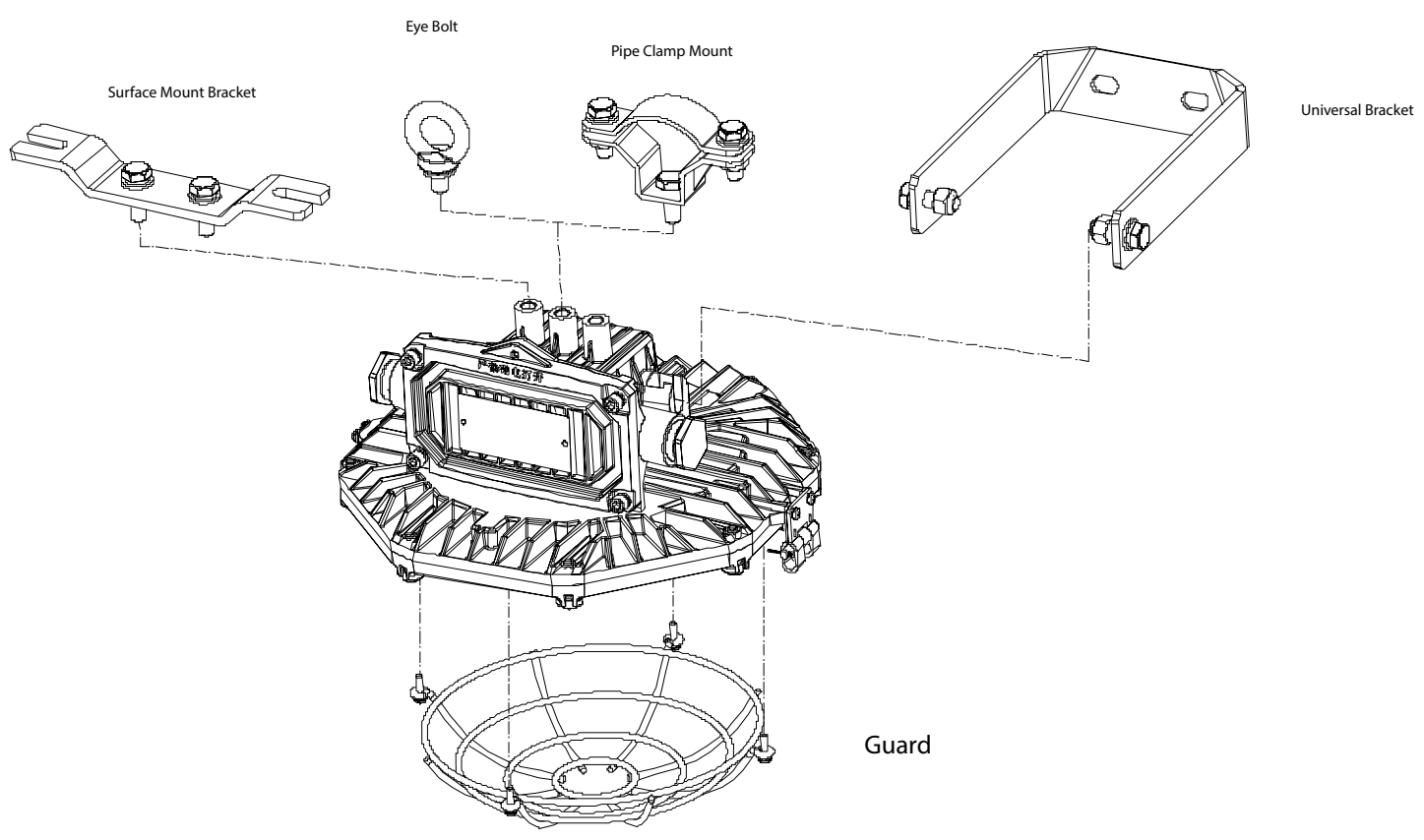


B - 80°



Colourations on isolux diagrams are qualitative, i.e. the same colour on any two isolux diagrams will not necessarily have the same lux value.

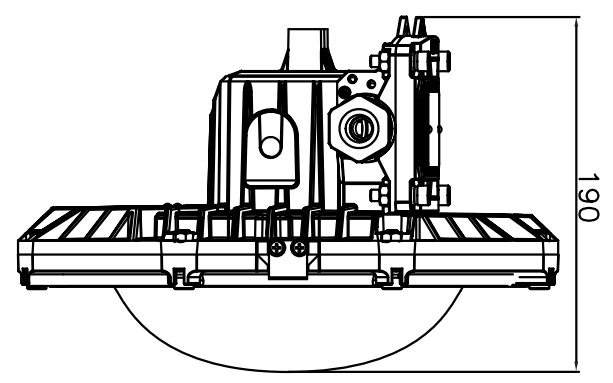
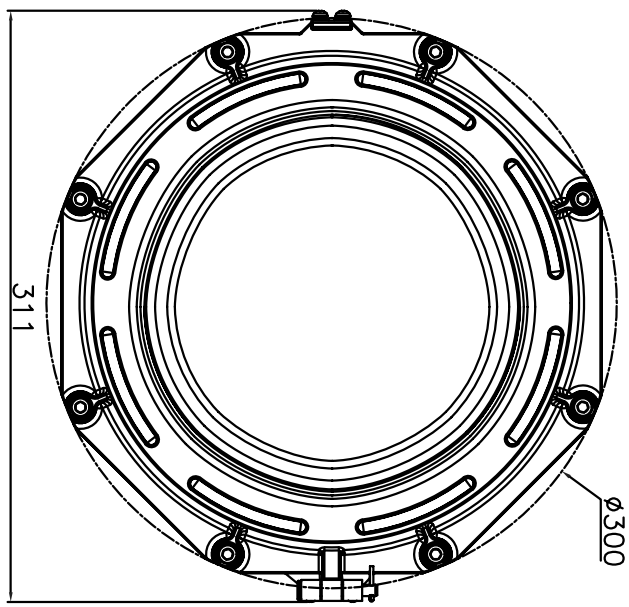
Bracketry



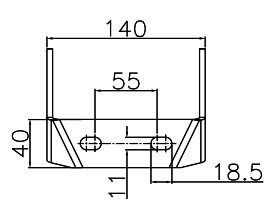
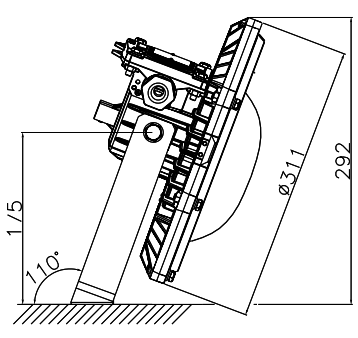
All units are in mm



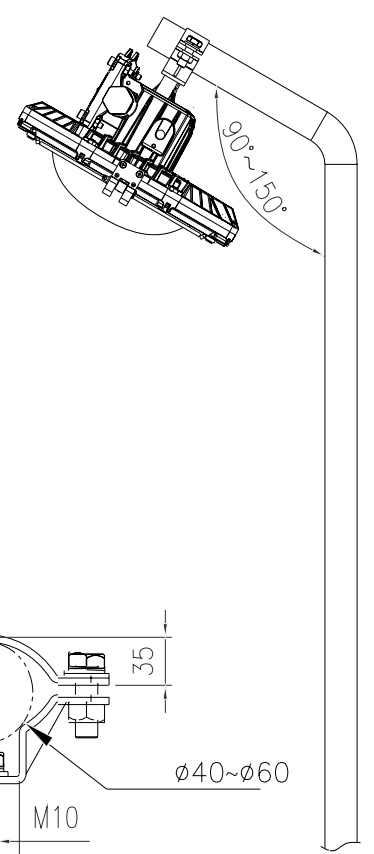
Dimensional Drawings



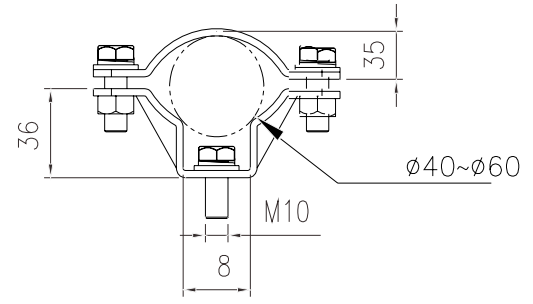
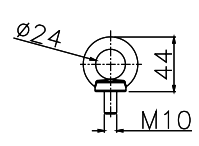
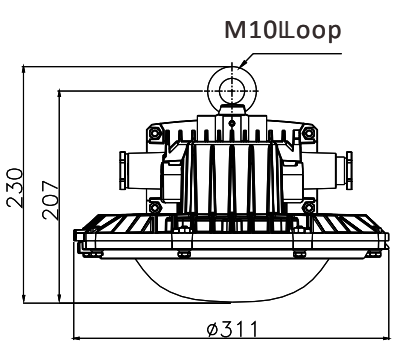
Universal Bracket



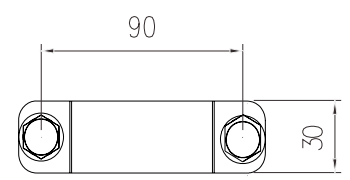
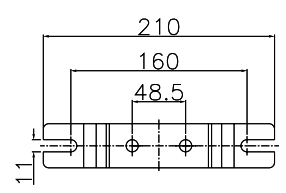
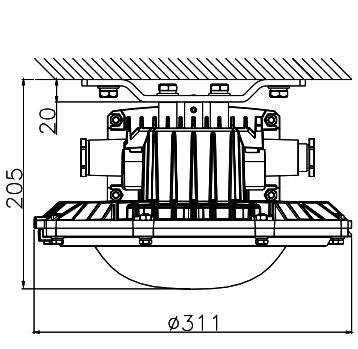
Pipe Clamp Mount



Eye Bolt



Surface Mount Bracket



All units are in mm



Standard product code fields are presented as:
Further customisation may be available - please contact us if required



Product Ordering Codes

PRODUCT	POWER	CRI & CCT	OPTIC	DRIVER	MOUNTING	COLOUR	THREAD	
RAN3	30 30W	740 CRI >70, 4000K	15 15° CIRCULAR (S)	V1 INPUT VOLTAGE 100-240 VAC	UB UNIVERSAL BRACKET	OR ORANGE	I1 M25 INLET THREAD	
	60 60W	750 CRI >70, 5000K	80 80° CIRCULAR (B)			EB EYE BOLT	GR GREY	I2 NPT3/4" INLET THREAD
		757 CRI >70, 5700K				SM SURFACE MOUNT BRACKET		I4 M20 INLET THREAD
		830 CRI >80, 3000K				PC PIPE CLAMP MOUNT		

Product Ordering Code Examples:

RAN3-30-757-80-V1-UB-OR-I1

RAN3-60-740-180-V1-SM-GR-I2-WG

BRACKETS & ACCESSORIES	
CODE	DESCRIPTION
RAN3-UB	UNIVERSAL BRACKET FOR RANKINE 3 SERIES
RAN3-EB	EYE BOLT FOR RANKINE 3 SERIES
RAN3-SM	SURFACE MOUNT BRACKET FOR RANKINE 3 SERIES
RAN3-PC	PIPE CLAMP FOR RANKINE 3 SERIES
RAN3-WG	WIRE GRILL

CONTACT OUR OFFICE FOR FURTHER INFORMATION ON DRIVER PARAMETERS

GENERAL NOTES:

1. IF MORE THAN ONE MODIFICATION IS REQUIRED, SEPARATE EACH MODIFICATION WITH A HYPHEN AT THE END OF THE PRODUCT CODE
2. PLEASE ENSURE SELECTION OF COMPATIBLE DRIVER FOR OCCUPANCY SENSORS WITH DIMMING FUNCTIONALITY
3. PLEASE NOTE THAT MODIFICATIONS WHICH AFFECT LIGHT OUTPUT HAVE SEPARATE PHOTOMETRIC FILES IDENTIFIED WITH "...+(MODIFICATION)"
4. ALTERNATIVE DRIVERS MAY BE AVAILABLE - PLEASE CONTACT OUR OFFICE FOR FURTHER DETAILS
5. IF PRODUCT IS CUSTOMISED, CODES WILL BE ALTERED AS NECESSARY - HAZARDOUS AREA CERTIFIED PRODUCT MODIFICATIONS ARE TYPICALLY LIMITED TO BRACKETRY (TO ENSURE COMPLIANCE WITH CERTIFICATION)
6. HAZARDOUS AREA CERTIFIED PRODUCTS ARE LISTED USING KELLWOOD'S STANDARD ORDERING CODE TEMPLATE FOR MARKETING PURPOSES. PRODUCTS WILL BE SUPPLIED WITH OEM NAMEPLATES, CODES & DOCUMENTATION CORRESPONDING TO PRODUCT CERTIFICATION

