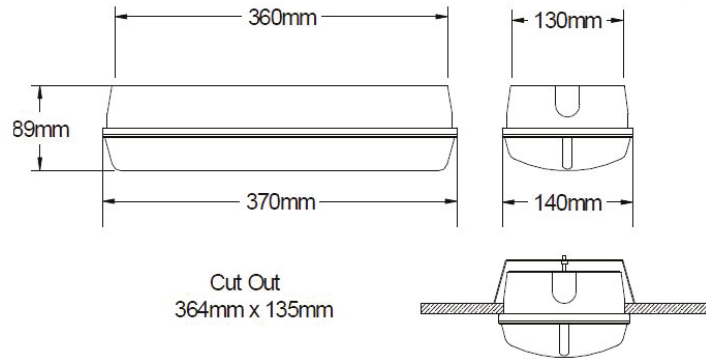




## Technical Specifications Summary



The EDW2 is a high output DALI self test emergency LED bulkhead which is designed for high ceiling applications. The high output LED strip use in this fitting provides 310 & 288 lumens after the diffuser in both mains and emergency operation respectively.

- 3W
- IP65 Ingress Protection
- Standard and DALI Self-Test Options Available
- 310 Lumen in Mains Operation
- 288 Lumen in Emergency Operation
- Hinged Geartray for Simple Installation
- Fresnell Diffuser

### Spacing Table:

Mounting Height	Axial to Wall		Axial to Axial		Transverse to Axial		Transv. to Transv.		Transverse to Wall	
	0.5 Lux	1.0 Lux	0.5 Lux	1.0 Lux	0.5 Lux	1.0 Lux	0.5 Lux	1.0 Lux	0.5 Lux	1.0 Lux
2.5m	2.9m	2.3m	9.7m	7.0m	10.9m	8.5m	13.2m	11.2m	5.6m	4.5m
3.0m	3.0m	2.5m	8.3m	6.0m	11.4m	9.1m	14.5m	12.2m	6.1m	4.6m
4.0m	3.4m	2.5m	8.4m	6.8m	12.6m	9.9m	16.7m	13.0m	6.5m	4.8m
5.0m	3.6m	2.4m	9.0m	7.1m	13.4m	10.3m	17.9m	13.4m	6.7m	4.3m
6.0m	3.6m	1.5m	9.8m	7.2m	14.2m	10.3m	18.6m	13.4m	6.7m	2.6m
8.0m	2.7m	-	10.1m	5.3m	14.7m	7.2m	19.2m	9.1m	4.5m	-

CODE	DESCRIPTION
<b>EDW2-3-M-T3</b>	MAINTAINED, DALI SELF TEST
<b>EDW2-3-NM-T3</b>	NON-MAINTAINED, DALI SELF TEST

ACCESSORIES
CODE Description
<b>EDW-LG-KIT</b> ADHESIVE LEGEND KIT FOR: ARROW UP, ARROW DOWN, ARROW LEFT & ARROW RIGHT
<b>EDW-SRK1</b> SEMI RECESSING KIT - TRIM PLATE & MOUNTING BRACKETS

## Technical Details

<b>Mains Supply</b>	220-240 Volts 50/60Hz
<b>Power Rating</b>	40mA $\lambda = 0.6$ , 16mA $\lambda = 0.48$ (non-maintained)
<b>Duration</b>	3 Hours
<b>Battery Size &amp; Type</b>	9.6V 1.5Ah LifePO4
<b>Rating</b>	IP65
<b>Light Source</b>	18No. 6x5mm Cool White
<b>Lumen Output</b>	310 lumens in emergency; 288 lumens in mains
<b>Beam Angle</b>	125° x 117°
<b>Light Source Colour Temp.</b>	4000K
<b>Ta</b>	25°
<b>Dimensions</b>	360mm x 130mm x 89mm
<b>Mains Input Terminal</b>	0.5mm x 2.5mm Cable
<b>Weight</b>	1.6Kg
<b>Warranty</b>	4 Years