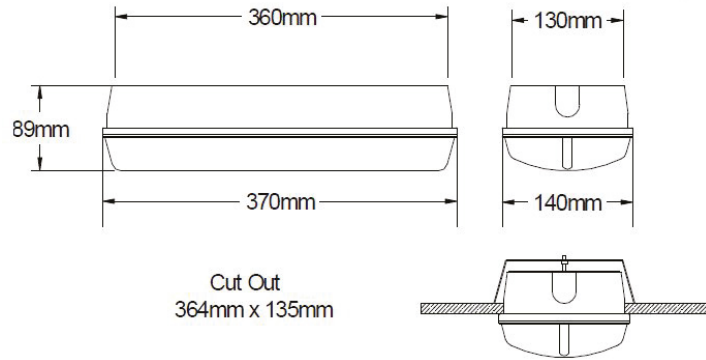


Technical Specifications Summary



The EDW is a high output emergency LED bulkhead which is designed for high ceiling applications. The high output LED strip use in this fitting provides 444 & 395 lumens after the diffuser in both mains and emergency operation respectively.

- 4W
- IP65 Ingress Protection
- Standard and DALI Self-Test Options Available
- 444 Lumen in Mains Operation
- 395 Lumen in Emergency Operation
- Hinged Geartray for Simple Installation
- Fresnell Diffuser

Spacing Table:

Mounting Height	Axial to Wall		Axial to Axial		Transverse to Axial		Transv. to Transv.		Transverse to Wall	
	0.5 Lux	1.0 Lux	0.5 Lux	1.0 Lux	0.5 Lux	1.0 Lux	0.5 Lux	1.0 Lux	0.5 Lux	1.0 Lux
2.5m	3.3m	2.3m	9.2m	6.7m	11.5m	9.3m	13.8m	12.0m	6.0m	5.0m
3.0m	3.3m	2.5m	9.3m	6.7m	12.4m	9.9m	15.6m	13.2m	6.6m	5.3m
4.0m	3.4m	2.6m	9.5m	6.7m	13.8m	10.7m	18.2m	14.6m	7.3m	5.5m
5.0m	3.6m	2.5m	9.2m	7.2m	14.5m	11.2m	19.8m	15.2m	7.6m	5.4m
6.0m	3.7m	2.1m	9.8m	7.3m	15.4m	11.4m	21.1m	15.5m	7.8m	4.5m
8.0m	3.3m	-	10.3m	6.5m	16.1m	10.2m	21.9m	14.0m	7.0m	-
10m	-	-	10.0m	-	15.7m	-	21.4m	-	-	-

CODE	DESCRIPTION
EDW-4-M-T1	MAINTAINED
EDW-4-NM-T1	NON-MAINTAINED

ACCESSORIES
CODE Description
EDW-LG-KIT ADHESIVE LEGEND KIT FOR: ARROW UP, ARROW DOWN, ARROW LEFT & ARROW RIGHT
EDW-SRK1 SEMI RECESSING KIT - TRIM PLATE & MOUNTING BRACKETS

Technical Details

Mains Supply	220-240 Volts 50/60Hz
Power Rating	64mA $\lambda = 0.62$, 23mA $\lambda = 0.86$ (non-maintained)
Duration	3 Hours
Battery Size & Type	4.8V 4.5Ah NiCd
Rating	IP65
Light Source	18No. 6x5mm Cool White
Lumen Output	395 lumens in emergency; 444 lumens in mains
Beam Angle	125° x 117°
Light Source Colour Temp.	6000K
Ta	25°
Dimensions	360mm x 130mm x 89mm
Mains Input Terminal	0.5mm x 2.5mm Cable
Weight	2.3Kg
Warranty	3 Years