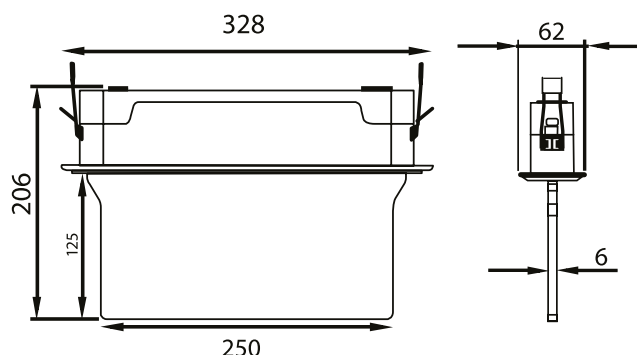




Technical Specifications Summary



A stylish and compact Double Sided LED Exit Sign suitable for ceiling recess mount applications. The unit is available in either a Switchable Maintained/ Non-Maintained or DALI Self-Test version.

The unit is supplied with a Plexi glass screen printed legend plate which offers an impressive 25m viewing distance. The legend panels are available in either Arrow Down (AD) or Arrow Left / Arrow Right (ALAR).

The batteries used with this unit not only offer double the life of traditional emergency lighting batteries, but consume far less power during their operation.

- 2W / 3W
- Recessed mounting
- White Polycarbonate body
- Translucent Polycarbonate Cover
- Extra Long Life LiFePO4 cells
- Ingress Protection Rating - IP41
- 25m viewing distance
- ISO legends as standard
- DDP (Deep Discharge Protection)
- Samsung LEDs

CODE XX (Configurable Option)	DESCRIPTION	CONFIGURABLE OPTION (XX)
EWI-2-M-T2-RM-XX	2W SWITCHABLE MAINTAINED	AD ARROW DOWN
EWI-3-NM-T3-RM-XX	3W NON-MAINTAINED, DALI, SELF TEST	ALAR ARROW LEFT / ARROW RIGHT

Technical Details

	EWI-2-M-T2-RM-XX	EWI-3-NM-T3-RM-XX
Mains Supply	220-240 Volts 50/60Hz	
Power Rating	44mA $\lambda = 0.6$	37mA $\lambda = 0.61$
Duration	3 Hours	
Recharge Period	12 Hours – Energy saving electronic charger	
Battery Size & Type	6.4V 2.0Ah LiFePO4 Cells	9.6V 1.5Ah LiFePO4 Cells
Charge Current	0-400mA Float	0-150mA Float
Battery Current Limit	700mA	350mA
Ingress Protection Rating	IP41	
Class	Class II	
Warranty	4 Years	

