

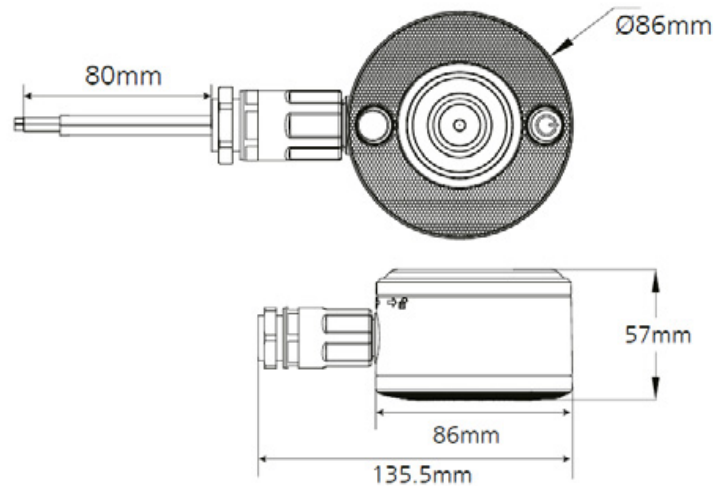
LiFePO₄



The Elgin 2 Series is an LED self test emergency light module purposely designed to mount and connect directly into compatible products. Remote testing functionality can also be achieved by installing an emergency key switch on the permanent live.

Installation requirements are significantly reduced as this module relies solely on the power supply of its master unit. It is ideal for application in humid environments due to an IP65 rating and is compatibility across our range of vapour proof products.

Technical Specifications Summary



- 3W
- Up to 400 Lumen output
- IP65 Ingress Protection
- IK06 Impact Resistant
- Plug and play
- Simple Installation and no maintenance required

CODE	DESCRIPTION
ELG2-3-NM-S1	NON-MAINTAINED, SELF TEST

Technical Details

Mains Supply	220-240 Volts 50/60Hz
Power Rating	3W
Charge Time	10 Hours
Duration	≥3 Hours
Battery Size & Type	LiFePO ₄ 7.4V
Battery Current Limit	2,200 mAh
Rating	IP65
Lumen Source	Jufei LED
Lumen Output	400lm
CRI Rating	≥80 Ra
Light Source Colour Temp.	4000K
Ambient Usage Tolerance	-20°C to 40°C
Dimensions (ØxH)	86 x 57mm
Mains Input Terminal	80mm cable
Weight	0.28kg